

背板與天花建議最少安裝距離示意圖

1-4. INSTALLATION DIAGRAM

ACCESSORIES

Check the following parts before installation.

<Indoor unit>

(1)	Installation plate	1
(2)	Installation plate fixing screw 4 × 25 mm	5
(3)	Remote controller holder	1
(4)	Fixing screw for (3) 3.5 × 16 mm (Black)	2
(5)	Battery (AAA) for (6)	2
(6)	Wireless remote controller	1
(7)	Felt tape (For left or left-rear piping)	1
(8)	Air cleaning filter	2

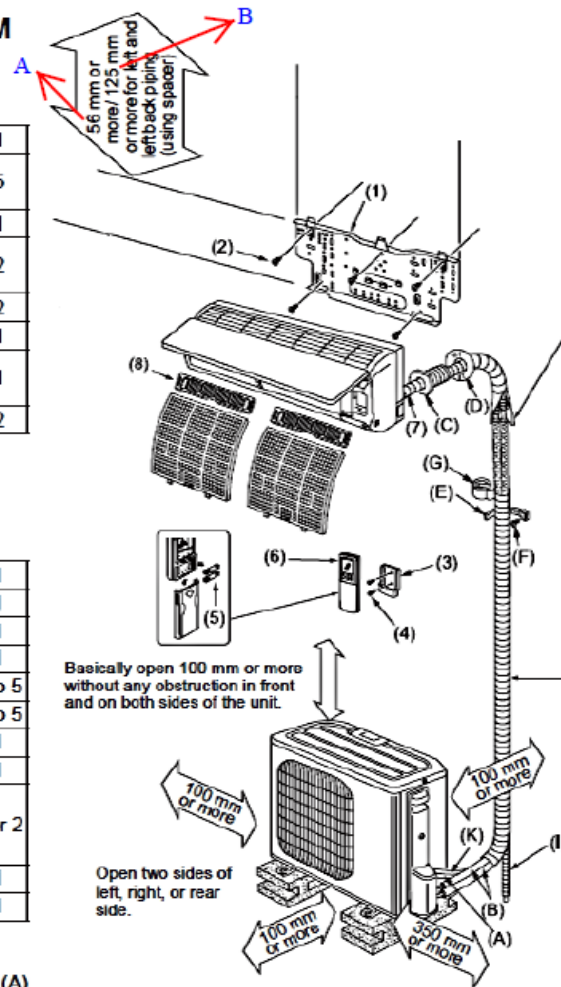
PARTS TO BE PROVIDED AT YOUR SITE

(A)	Indoor/outdoor unit connecting wire*	1
(B)	Extension pipe	1
(C)	Wall hole sleeve	1
(D)	Wall hole cover	1
(E)	Pipe fixing band	2 to 5
(F)	Fixing screw for (E) 4 × 20 mm	2 to 5
(G)	Piping tape	1
(H)	Putty	1
(I)	Drain hose (or soft PVC hose, 15 mm inner diameter or hard PVC pipe VP16)	1 or 2
(J)	Refrigeration oil	1
(K)	Power supply cord*	1

* Note:

Place indoor/outdoor unit connecting wire (A) and power supply cord (K) at least 1 m away from the TV antenna wire.

Units should be installed by licensed contractor according to local code requirements.



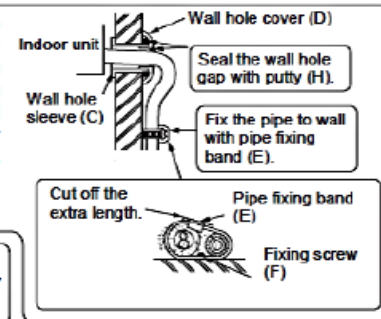
Appearance of the outdoor unit may differ from some models.

Be sure to use wall hole sleeve (C) to prevent indoor/outdoor connecting wire (A) from contacting metal parts in the wall and to prevent damage by rodents in case the wall is hollow.

After the leak test, apply insulating material tightly so that there is no gap.

When the piping is to be attached to a wall containing metals (tin plated) or metal netting, use a chemically treated wooden piece 20 mm or thicker between the wall and the piping or wrap 7 to 8 turns of insulation vinyl tape around the piping.

To use existing piping, perform COOL operation for 30 minutes and pump down before removing the old air conditioner. Remake flare according to the dimension for new refrigerant.



例子 1:

56mm or more/125 mm or more for left and left back piping

A: 56mm ; B: 125mm

如上圖所示:

當喉管安裝在右面時，需預留至少 56mm
當喉管安裝在左面時，需預留至少 125mm

圖中所示為在左/右面安裝喉管時，背板與天花最少的安裝距離 (毫米)。

A: 當喉管需要安裝在機身右面

B: 當喉管需要安裝在機身左面

Recommended spacing requirement from top of installation plate to the ceiling
各款分體機背板與天花最少安裝距離的建議

Product Line 產品系列	Model 型號	Type 類型	A Min. Height for Right rear piping (mm) 喉管安裝在右時最少相距(毫米)	B Min. Height for Left rear piping (mm) 喉管安裝在左時最少相距(毫米)
PAH	MSZ-PAH09VA-H1/ MUZ-AH09VA-H1	Inverter Heat pump	95	185
	MSZ-PAH12VA-H1/ MUZ-AH12VA-H1			
WG	MSZ-WG18VA-H1/ MUZ-WG18VA-H1		82	123
	MSZ-WG20VA-H1/ MUZ-WG20VA-H1			
	MSZ-WG25VA-H1/ MUZ-WG25VA-H1			
YK	MSZ-YK09VA-H1/ MUZ-YK09VA-H1		65	161
	MSZ-YK12VA-H1/ MUZ-YK12VA-H1			
	MSZ-YK18VA-H1/ MUZ-YK18VA-H1			
GE	MSZ-GE60VA-E1/ MUZ-GE60VA-E1		55	118
	MSZ-GE71VA-E1/ MUZ-GE71VA-E1			
GS	MSZ-GS07/ MUZ-GS07	55	130	
	MSZ-GS09/ MUZ-GS09			
	MSZ-GS12/ MUZ-GS12			
	MSZ-GS18/ MUZ-GS18		111	132
MSY	MSY-GJ10VA MUY-GJ10VA	Inverter Cooling only	56	125
	MSY-GJ13VA MUY-GJ13VA			
	MSY-GK18VA MUY-GK18VA		55	118
	MSY-GF24VA MUY-GF24VA			
GS	MSY-GS07/ MUY-GS07	55	130	
	MSY-GS09/ MUY-GS09			
	MSY-GS12/ MUY-GS12			
	MSY-GS18/ MUY-GS18		111	132
GJ	MS-GJ09VA MU-GJ09VA	Fixed speed Cooling only	54	130
	MS-GJ12VA MU-GJ12VA			
GM/GH	MS-GM19VA MU-GM19VA	55	118	
	MS-GM23VA MU-GM23VA			
	MS-GH80VA MU-GH80VA			