

Suspension Support Frame for Bathroom Thermo Ventilator 浴室換氣暖風機專用懸掛支撐框架

Model / 型號

P-251TW-HK

Installation Manual / 安裝手冊

For Dealers and Contractors / 經銷商和承包商專用



This suspension support frame is for use when mounting a Bathroom Thermo Ventilator suspended from the ceiling. Carefully read the Instruction Manual before installation and install the product correctly.

本懸掛支撐框架用於在天花板上懸掛安裝浴室換氣暖風機。
請事先仔細閱讀使用說明書，然後再正確安裝本產品。

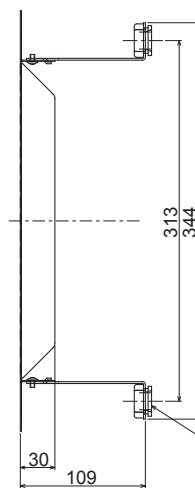
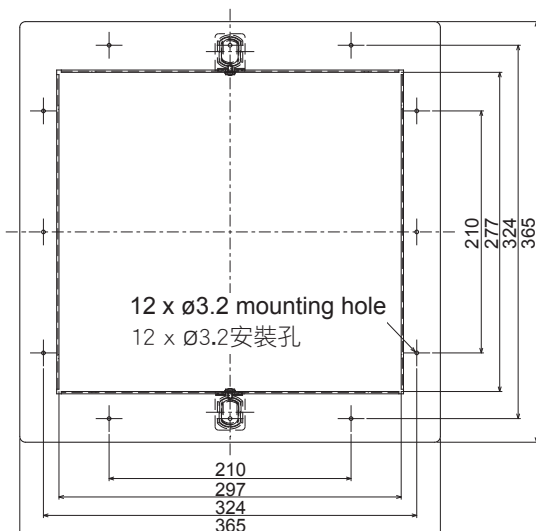
Installation of this product is to be carried out by the distributor or installer from the place of purchase. 本產品的安裝應由購買地的經銷商或安裝人員進行。

Safety Precautions / 安全須知

The table below explains the degree of danger from incorrectly handling or using the product. 下表對產品不當處理或使用的危險程度進行了說明。

 Caution / 注意	Incorrect handling or use may result in minor injury or physical damage to the house or household goods. 不當處理或使用產品可能會造成輕微傷害或對房屋或家庭用品造成物理損壞。	
	 Securely install the product. It could fall and cause an injury.	牢固安裝本產品。 可能會墜落而造成傷害。
Follow instructions 遵照說明	Wear gloves during installation. Failure to do so could result in injury.	安裝時請佩戴手套。 否則可能導致傷害。

Dimensional Drawings / 尺寸圖



Parts supplied / 隨附的部件

- Suspension brackets: 2
• 懸掛支架：2
- Suspension support frame: 1
• 懸掛支撐框架：1
- Screws (4 x 6): 2
• 螺絲(4 x 6)：2

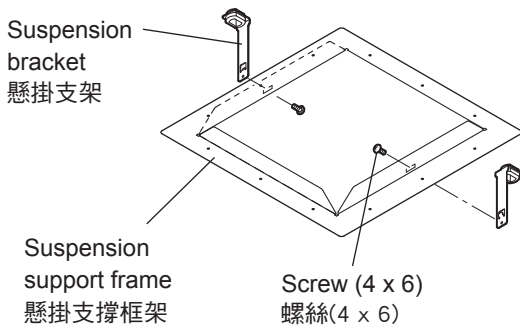
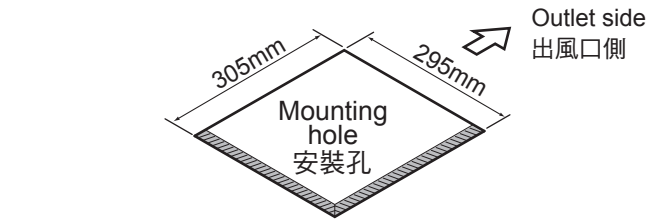
Rubber bushing
 Suspension bracket
 15 x 22 slotted hole
 橡膠襯套
 懸掛支架
 15 x 22開槽孔

Units (mm)
 單位(mm)

Method of Installation / 安裝方法

Install the Bathroom Thermo Ventilator from inside the bathroom. Otherwise maintenance becomes impossible.

從浴室內安裝浴室換氣暖風機。否則無法進行維護。

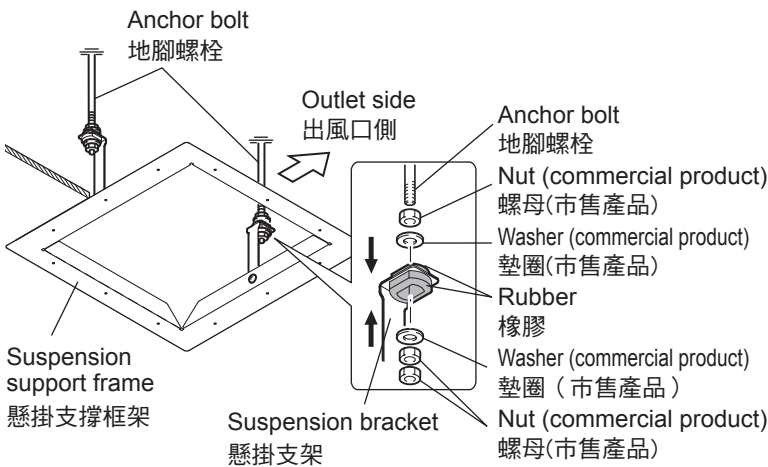


Preparations for installation 安裝準備

Refer to the Installation Manual of the Bathroom Thermo Ventilator for details on the installation position and conditions.

有關安裝位置和條件的詳細資料，請參閱浴室換氣暖風機的安裝說明書。

1. Refer to the dimensional drawings and fix commercial anchor bolts (M8 or M10) to the installation position.
1. 參照尺寸圖，將市售的地腳螺絲(M8或M10)固定到安裝位置。
2. Make a mounting hole in the ceiling as shown on the left.
2. 如左圖所示在天花板上打一個安裝孔。
3. Secure the suspension brackets (2 pieces) to the frame with the supplied screws (4 x 6), and assemble the suspension support frame. (Refer to the dimensional drawings for the installation positions of the suspension brackets.)
3. 使用隨附的螺絲(4 x 6)將懸掛支架(2個)固定到框架上，然後組裝懸掛支撐框架。(有關懸掛支架的安裝位置，請參照尺寸圖。)



Installation of the suspension support frame 安裝懸掛支撐框架

1. Insert the suspension support frame in the mounting hole from inside the bathroom, and suspend it from the anchor bolts using commercial washers and nuts.
1. 將懸掛支撐框架從浴室內部插入安裝孔，並使用市售的墊圈和螺母將其懸掛在地腳螺絲上。
2. Adjust the suspension support frame so that it is parallel to the ceiling board, and secure the suspension support frame to the anchor bolts.
2. 調整懸掛支撐框架使其與天花板平行，並將懸掛支撐框架固定到地腳螺絲上。

Note / 備註

Refer to the diagram on the left and ensure that the nuts are firmly secured.
參照左圖，確保螺母固定牢固。

Installation of the Bathroom Thermo Ventilator 安裝浴室換氣暖風機

Refer to the Installation Manual of the Bathroom Thermo Ventilator.
請參閱浴室換氣暖風機的安裝說明書。

MITSUBISHI ELECTRIC CORPORATION

MITSUBISHI ELECTRIC CORPORATION NAKATSUGAWA WORKS

1-3 Komaba-cho, Nakatsugawa-city Gifu-pref. 508-8666, Japan

三菱電機株式会社 中津川製作所

〒508-8666 岐阜県中津川市駒場町1番3号

原產國: 日本

製造商: 三菱電機株式會社