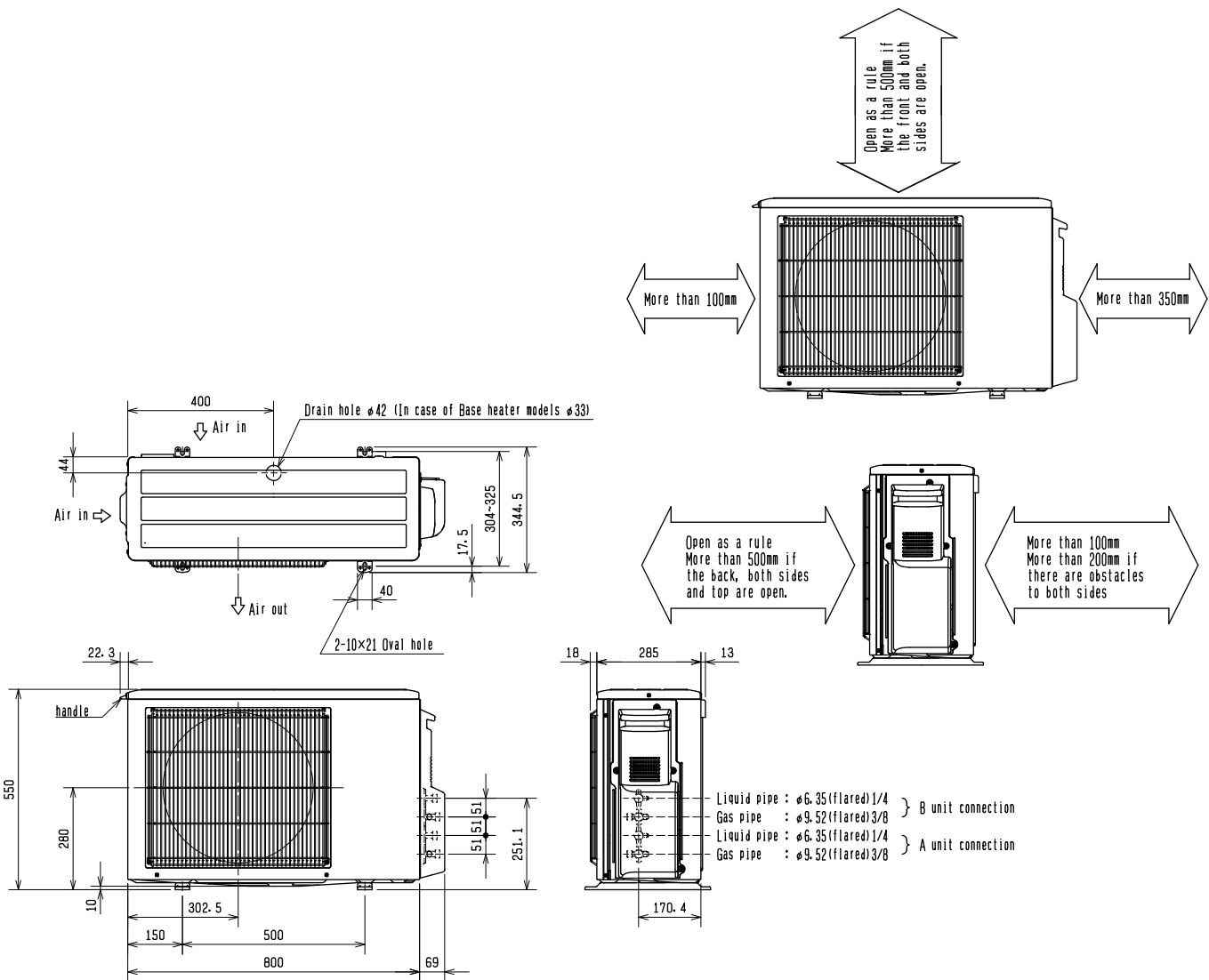


OUTLINES AND DIMENSIONS

MXZ-2D53VA2

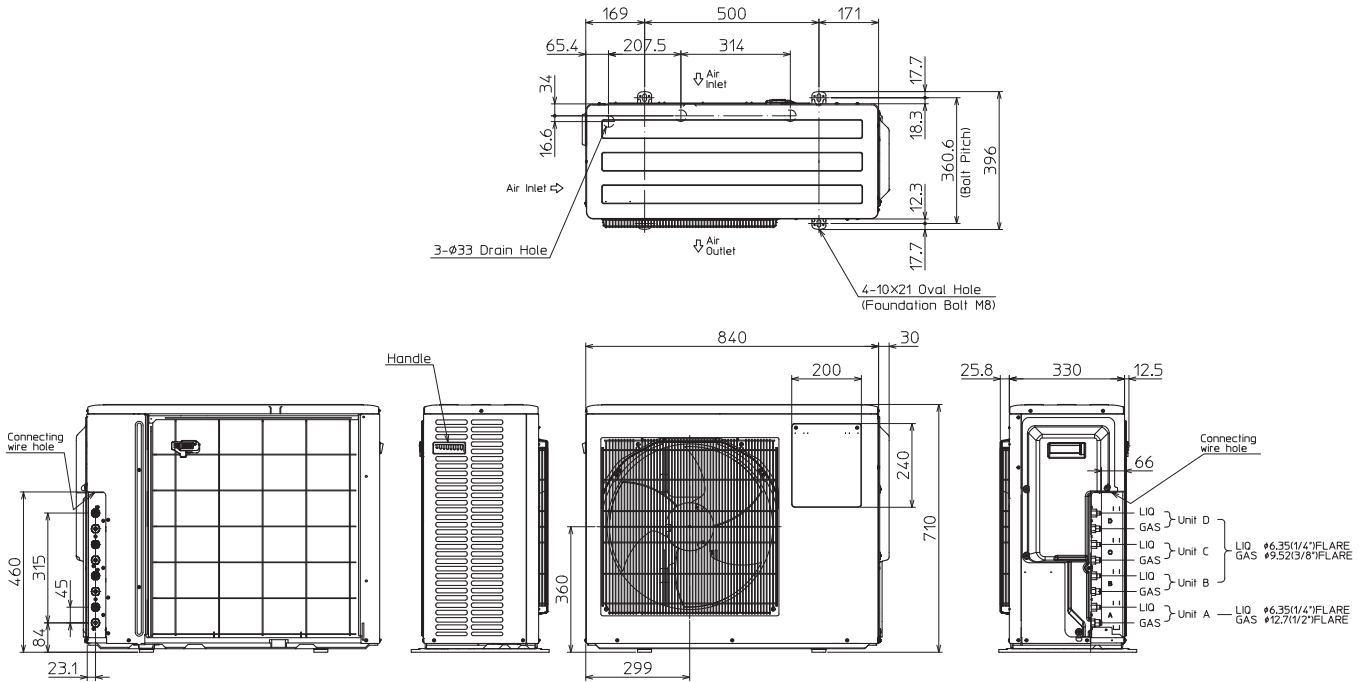
Unit: mm



OUTLINES AND DIMENSIONS

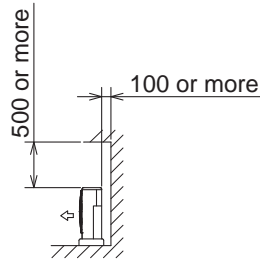
MXZ-4E72VA
MXZ-3E68VA

Unit: mm

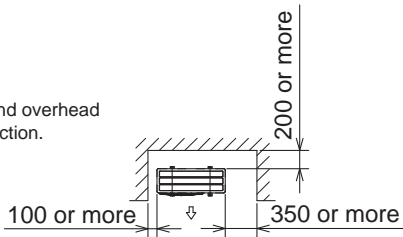


1. Installation space

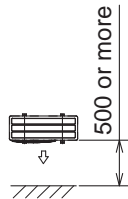
Note : Leave front and both sides free of obstruction.



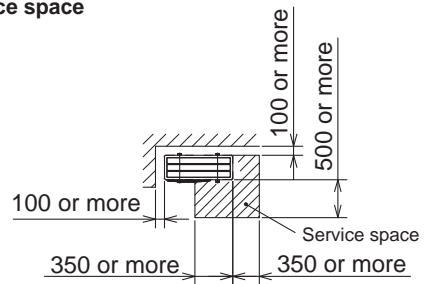
Note : Leave front and overhead free of obstruction.



Note : Leave rear, overhead and both sides free of obstruction.



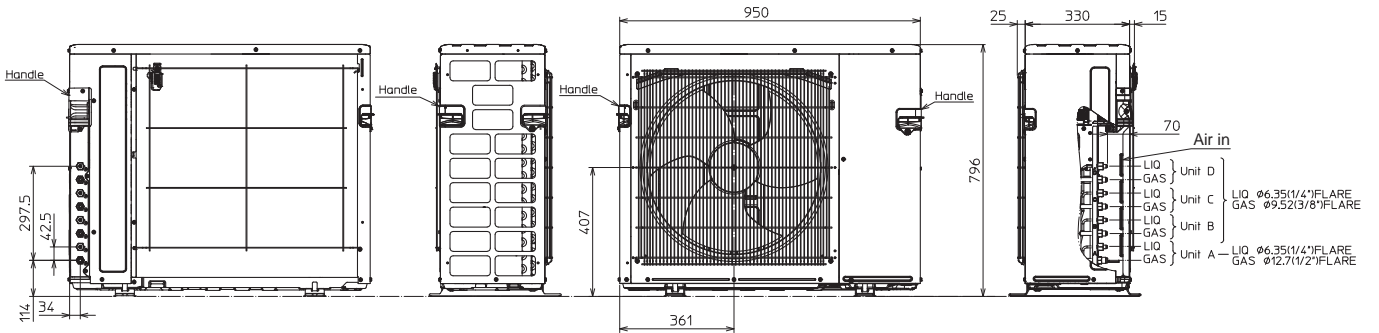
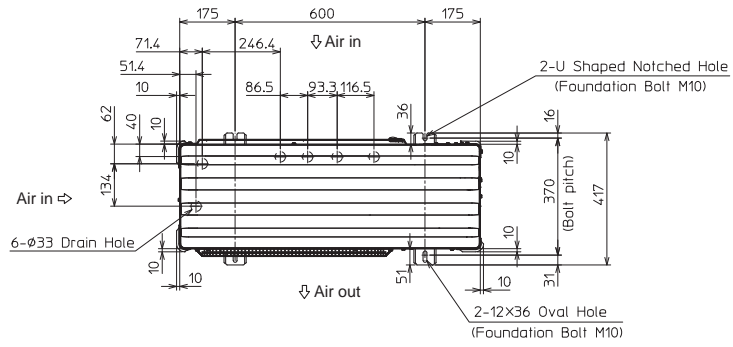
2. Service space



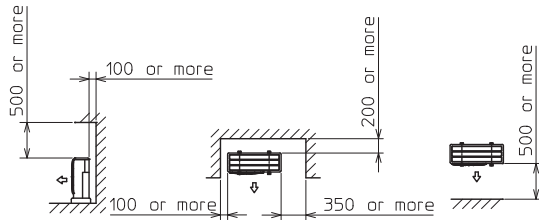
OUTLINES AND DIMENSIONS

MXZ-4E83VA

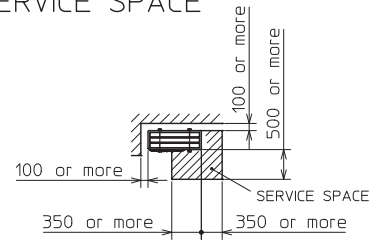
Unit: mm



1.FREE SPACE



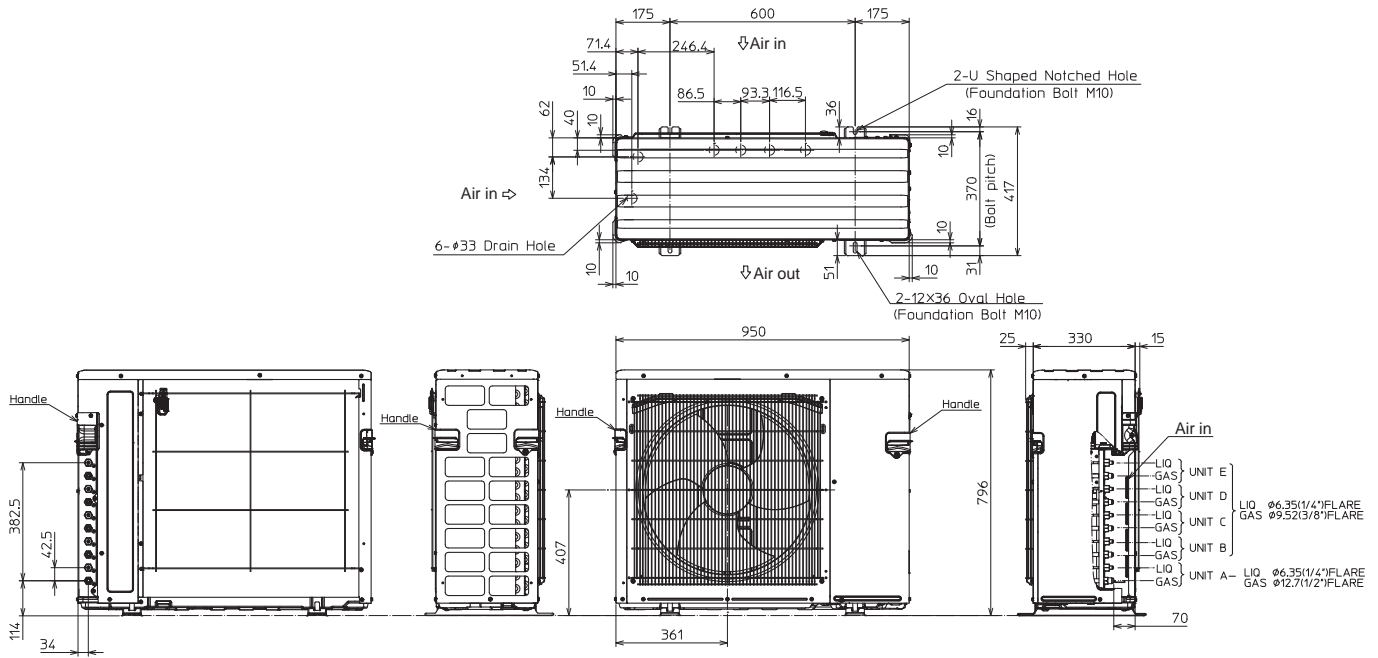
2.SERVICE SPACE



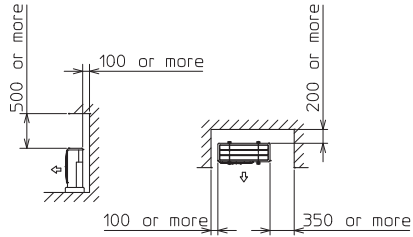
OUTLINES AND DIMENSIONS

MXZ-5E102VA

Unit: mm



1. FREE SPACE



2. SERVICE SPACE

