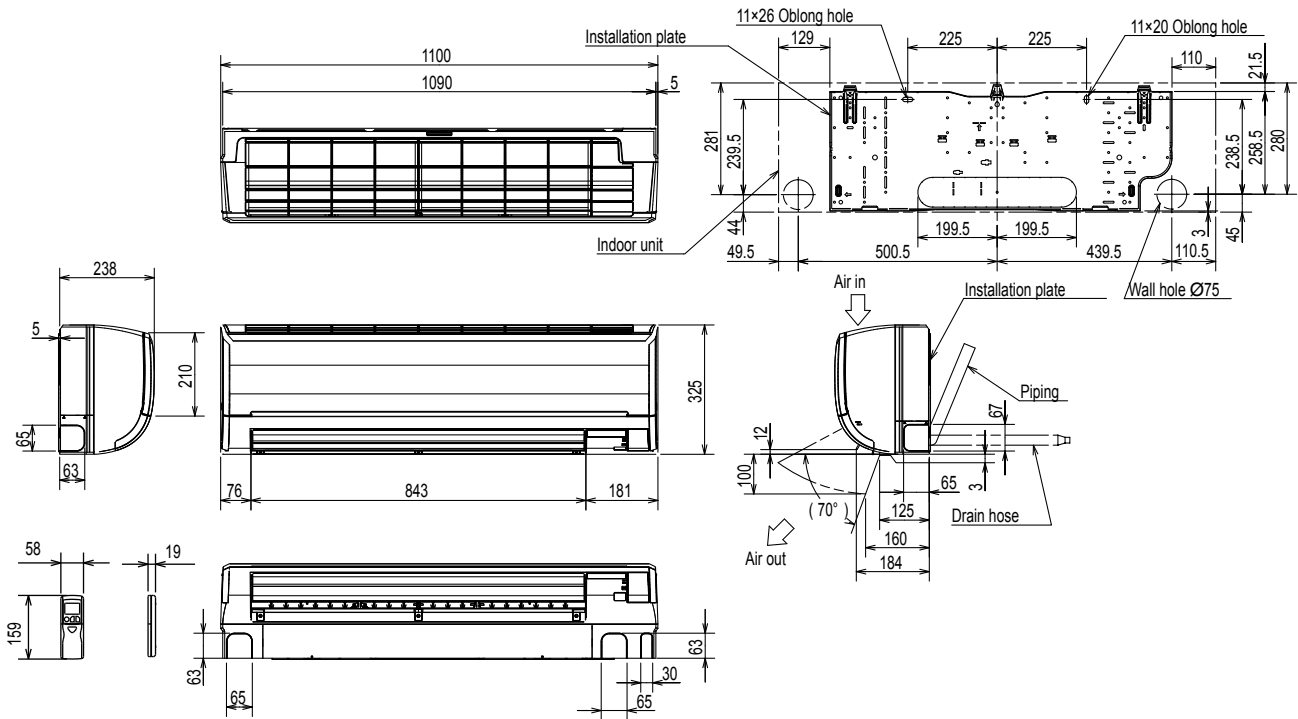


OUTLINES AND DIMENSIONS

MS-GH80VA

Unit: mm



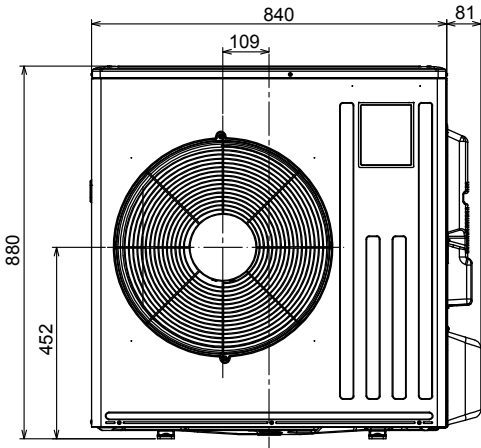
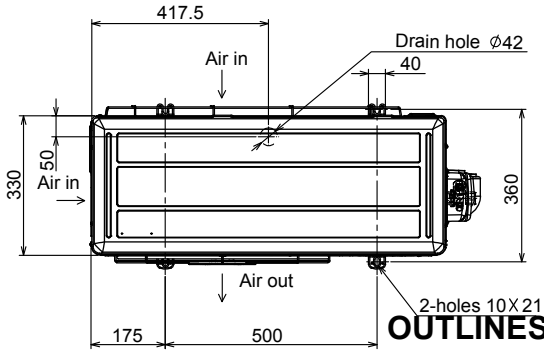
MS-GH80VA

Piping	Insulation	$\varnothing 50$ O.D
	Liquid line	$\varnothing 9.52 - 0.5m$ (Flared connection $\varnothing 9.52$)
	Gas line	$\varnothing 12 - 0.45m$ (Flared connection $\varnothing 15.88$)
	Drain hose	Insulation $\varnothing 28$ Connected part $\varnothing 16$ O.D

OUTLINES AND DIMENSIONS

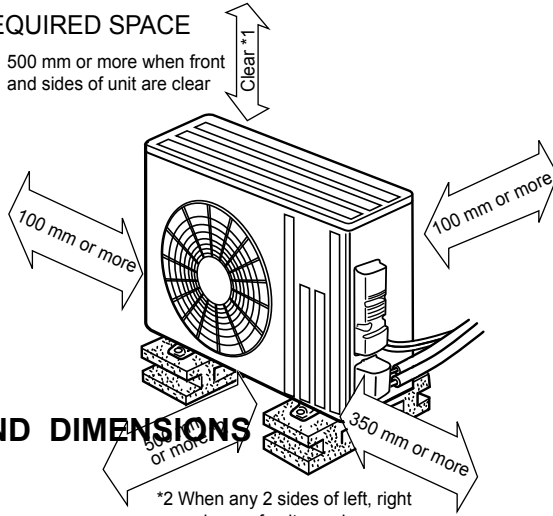
MU-GH80VA

Unit: mm



REQUIRED SPACE

*1 500 mm or more when front and sides of unit are clear



OUTLINES AND DIMENSIONS

*2 When any 2 sides of left, right and rear of unit are clear

