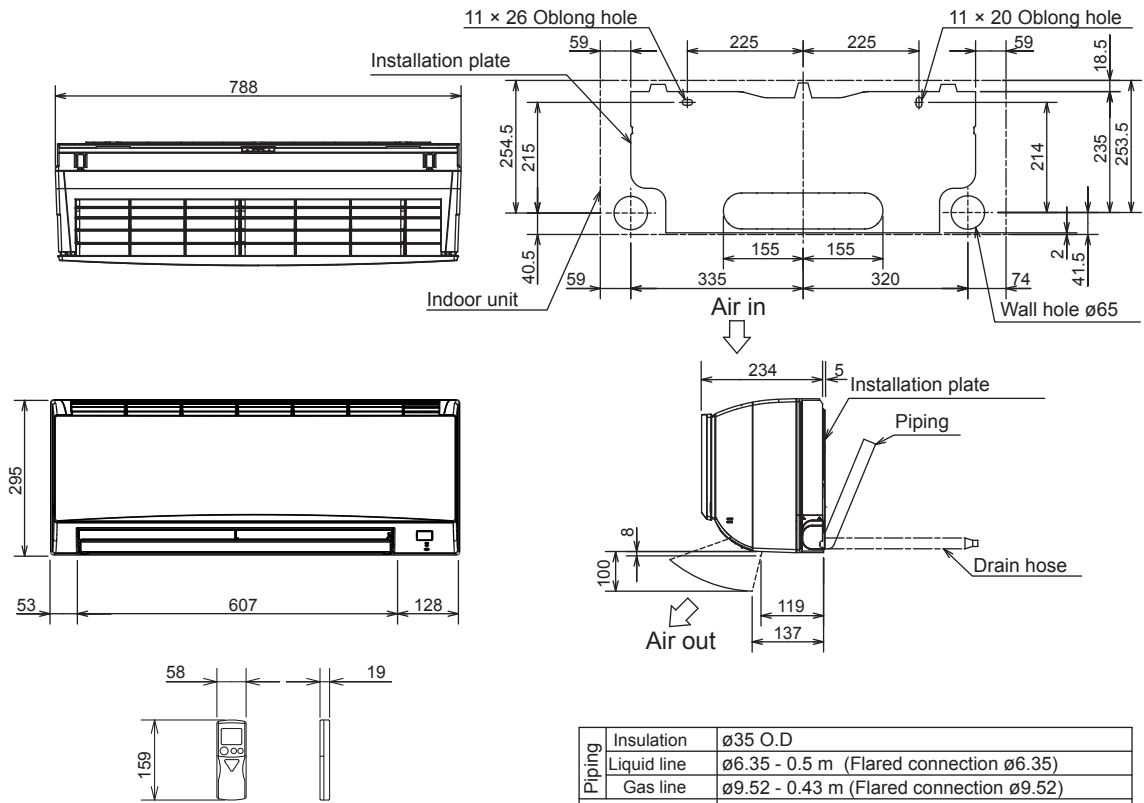


# OUTLINES AND DIMENSIONS

MSY-GJ10VA MSY-GJ13VA

Unit: mm

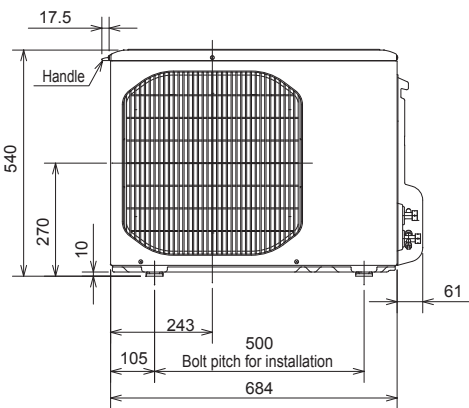
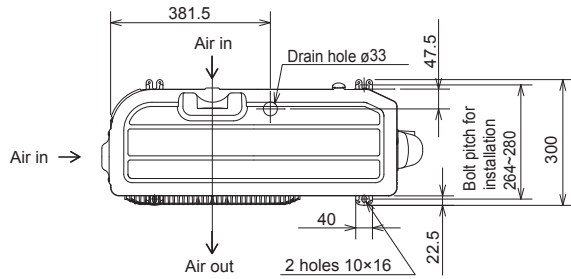


Piping	Insulation	ø35 O.D
	Liquid line	ø6.35 - 0.5 m (Flared connection ø6.35)
	Gas line	ø9.52 - 0.43 m (Flared connection ø9.52)
Drain hose	Insulation ø28 O.D Connected part ø16 O.D	

# OUTLINES AND DIMENSIONS

MUY-GJ10VA MUY-GJ13VA

Unit: mm



## REQUIRED SPACE

