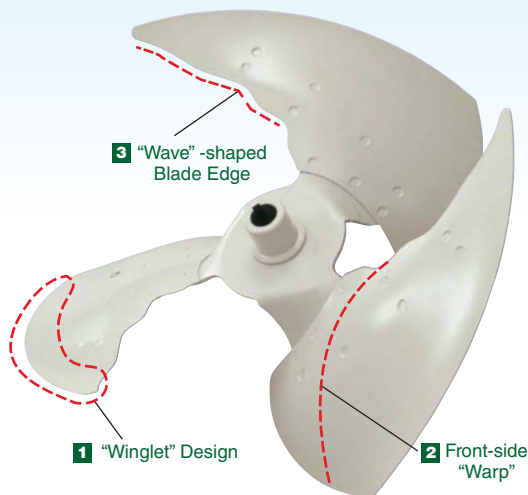


# Pressurized Fan

## Advanced blade designs realize a new quieter generation of Mitsubishi Electric Ventilators

**NEW MODEL**



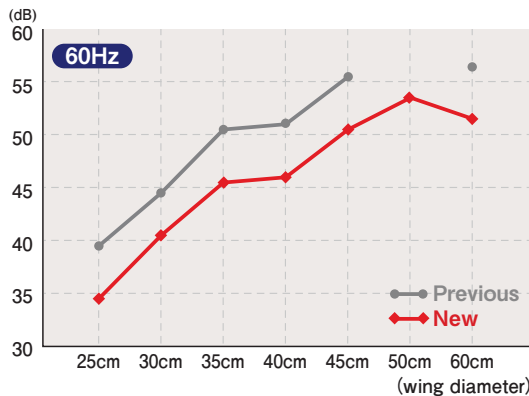
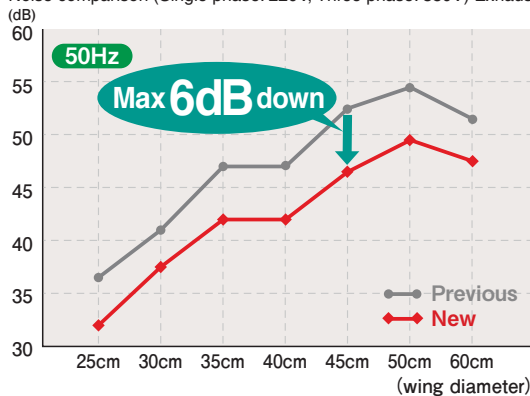
### NEW "TripleW" Noise-reducing Technology

<p><b>1 "Winglet" Design</b></p>	<p>Previous model</p> <p>Concentrated vortices</p>	<p>New model</p> <p>Diffused vortices</p>
<p><b>2 Front-side "Warp"</b></p>	<p>Previous model</p> <p>Strong vortex concentration</p>	<p>New model</p> <p>Low vortex concentration</p>
<p><b>3 "Wave"-shaped Blade Edge</b></p>	<p>Previous model</p> <p>Single large separation vortex</p>	<p>New model</p> <p>Subdivided vortices</p>

### Noise-reducing Technology

#### NEW "Triple W" Noise-reducing Technology

Noise comparison (Single phase: 220V, Three phase: 380V) Exhaust air (dB)



All model more than 3.5dB  
**Max 6dB**  
 Compared with previous model\*1  
**Low noise**

\*1: Comparison of new model and previous model

### Increased Reliability

Three times greater reliability compared to previous models.

By introducing a new heat-resistant urethane-type grease, the motor axis has become approximately three times more reliable than previous models.

\*2: 50°C continuous operation

Expected life time of bearing design  
**10,000hr → 30,000hr**\*2  
 (Previous) (New)

### Easier installation

#### Flattened Corner

By eliminating the corner piece, installing the fan with nuts has become easier.





**NEW**  
**EWF-25 to 45-E**  
(Exhaust Type)

- High static pressure
- Large air volume design
- Low noise operation

\*For exhaust use only.  
 \*This series cannot be used for supply (the direction of the vanes cannot be changed). For supply-use models, please refer to pg.7.  
 \*Operating conditions: Ambient temperature is -15°C to +50°C, and a relative humidity of 90% or less at normal temperature. Use outside of this range may result in burning, deform, irregular rotation, or damage.  
 \*Do not install the unit in a freezer or a place where freezing may occur.  
 \*Avoid turning on and off of the unit more than 50 times a day.  
 \*Switching of speeds is not available with this series.  
 \*Do not install the indoor models outdoor where it will be exposed to direct rain.  
 \*Outdoor models can be used in a place where it will be directly exposed to rain. However, rust could shorten the service life.  
 \*Do not connect the unit to inverter (Insulation breakdown may occur due to the surge from the inverter)

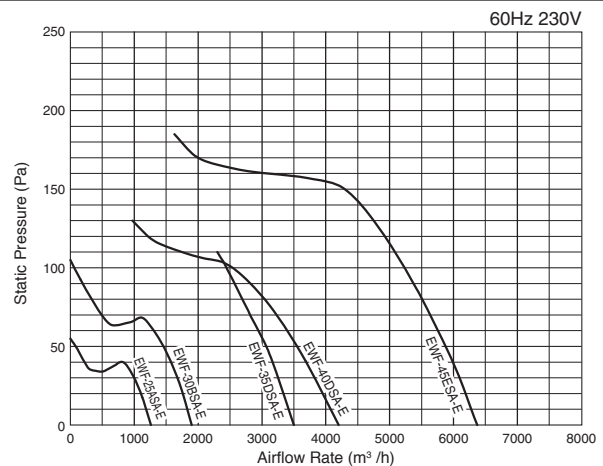
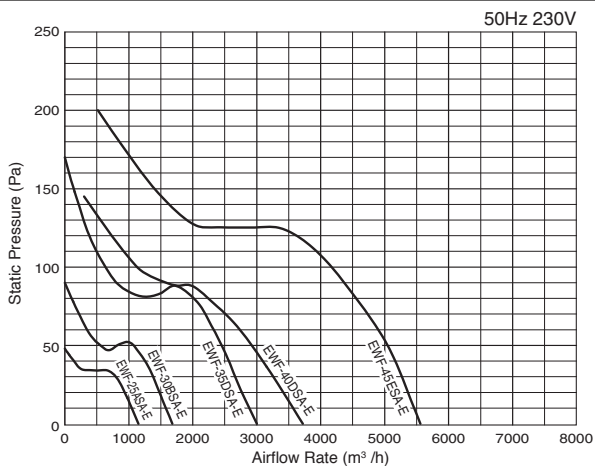
**Applicable for**



**Specifications**

MODEL	Power Supply [V]	Frequency [Hz]	Number of poles	Power Consumption [W]	Current [A]	Airflow Rate [m³/h]	Noise Level [dB]	Weight [kg]	Indoor or Outdoor
EWF-25ASA-E	Single-phase 220-240	50	4	42-48	0.21-0.23	1150	32	3.9	Indoor use
		60		46-52	0.21-0.22	1260	34.5-35		
EWF-30BSA-E		50	4	59-68.5	0.32-0.36	1680	37.5	5.7	
		60		67.5-74	0.31-0.32	1900	40.5-41		
EWF-35DSA-E		50	4	125-138	0.70-0.75	3000	42	9.4	
		60		170-178	0.80	3500	45.5		
EWF-40DSA-E		50	4	128-138	0.64	3720	42	12.1	
		60		175-190	0.80	4200	46		
EWF-45ESA-E		50	4	253-275	1.33-1.38	5560	46.5	19	
		60		350-360	1.60-1.50	6370	50.5		

**P-Q Characteristic**

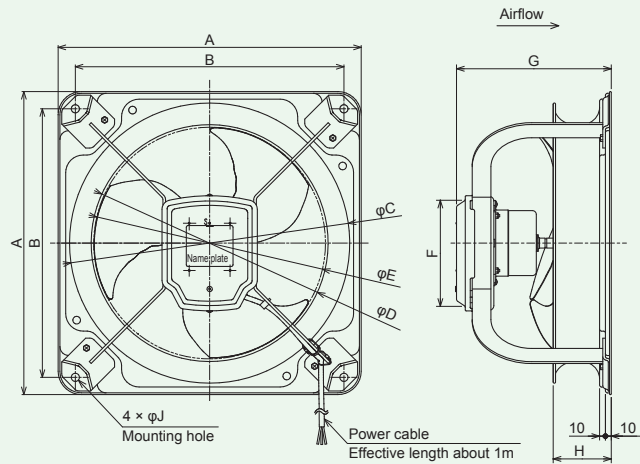


The printed color of the products are slightly different from those of the actual products.

\*Do not use the appliance out of the range of the characteristic curve.

**Dimensions**  
EWF-25 to 45-E

\*The appearance may slightly differ depending on the model.

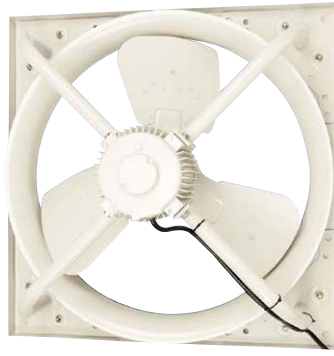


Unit : mm

**Dimensions**

MODEL	A	B	C	D	E	F	G	H	J	Power cable
EWF-25ASA-E	370	330	310	266	260	153	201	65	φ10	X
EWF-30BSA-E	420	380	359	306	300	153	197	69	φ10	X
EWF-35DSA-E	470	434	419	356	350	181	259	93	φ10	X
EWF-40DSA-E	520	460	480	406	400	181	266	99	φ14	X
EWF-45ESA-E	620	560	540	456	450	211	307	111	φ14	X

X : Vinyl cabtyre cable 3 conductors x AWG18



**NEW**  
**EWF-45 to 50-E**  
**EWG-60-E**  
 (Exhaust Type)

**KG-70 to 80-E**  
**EJ-105-E**  
 (Exhaust Type)

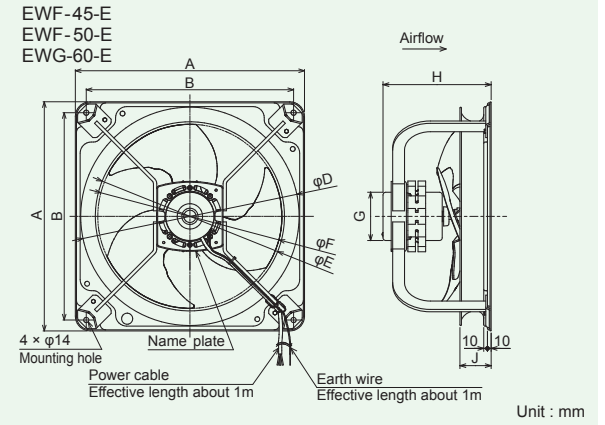
- \*45-60cm models are for exhaust use only (the direction of the vanes cannot be changed). For supply-use models, please refer to pg7.
- \*Operating conditions: Ambient temperature is -15°C to +50°C (for 105cm model, -30°C to +50°C), and a relative humidity of 90% or less at normal temperature. Use outside of this range may result in burning, deform, irregular rotation, or damage.
- \*Do not install the unit in a freezer or a place where freezing may occur.
- \*Avoid turning on and off of the unit more than 50 times a day.
- \*Switching of speeds is not available with this series.
- \*Outdoor models can be used in a place where it will be directly exposed to rain. However, rust could shorten the service life.
- \*Do not connect the unit to inverter (Insulation breakdown may occur due to the surge from the inverter)

**Applicable for**

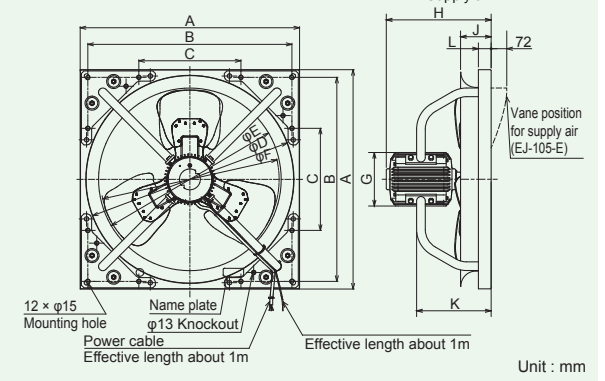


KG-70GTF<sub>3</sub>-E, KG-80HTF<sub>3</sub>-E and EJ-105HTB-E can be used as "supply type", by changing the direction of the vane and wiring connection. Please refer to the manual how to change. (Please refer to Pg7 for the specification and P-Q characteristic)

■Dimensions \*The appearance may slightly differ depending on the model.



■Dimensions \*The appearance may slightly differ depending on the model.  
 KG-70 to 80-E  
 EJ-105-E



■Dimensions

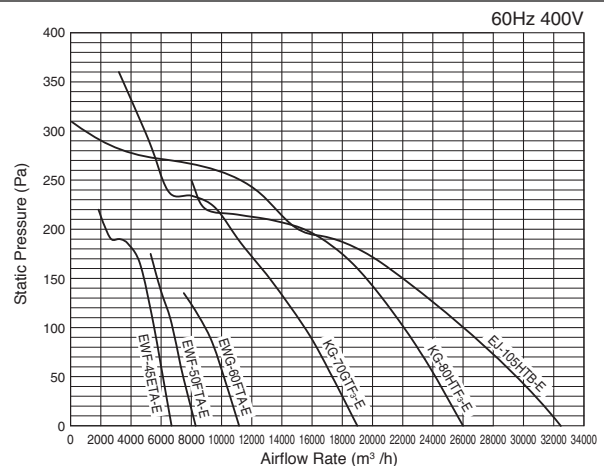
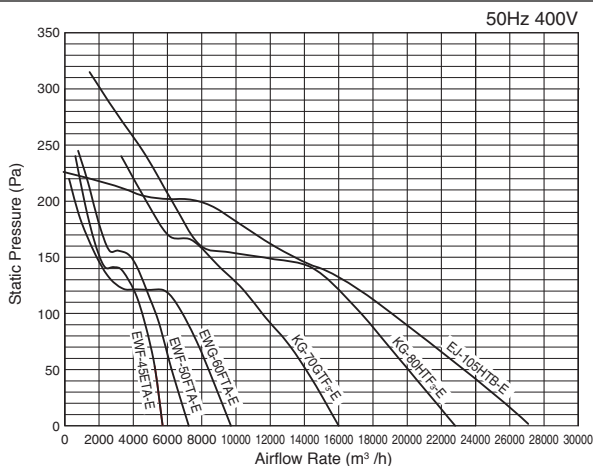
MODEL	A	B	C	D	E	F	G	H	J	K	L	Power cable	Earth wire
EWF-45ETA-E	620	560	-	540	456	450	φ131	312	111	-	-	X	AWG18
EWF-50FTA-E	620	560	-	590	511	500	φ131	292	84	-	-	X	AWG18
EWG-60FTA-E	710	650	-	703	607	600	φ163	345	119	-	-	X	AWG18
KG-70GTF <sub>3</sub> -E	860	800	400	816	716	700	φ210	412	120	292	50	Y	AWG18
KG-80HTF <sub>3</sub> -E	950	900	400	910	816	800	φ230	451	120	332	55	Y	AWG18
EJ-105HTB-E	1280	1210	750	1270	1070	1050	φ255	547	200	437	50	Z	-

X : Vinyl cabtyre cable 3 conductors x 0.75mm<sup>2</sup>  
 Y : Vinyl cabtyre cable 3 conductors x 2.0mm<sup>2</sup>  
 Z : 4 conductors x 2.5mm<sup>2</sup>

■Specifications

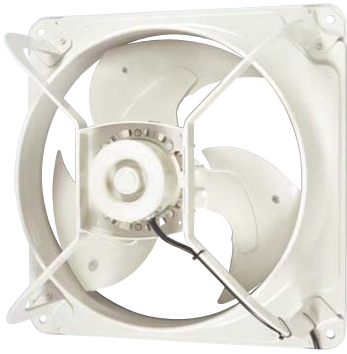
MODEL	Power Supply [V]	Frequency [Hz]	Number of poles	Power Consumption [W]	Current [A]	Airflow Rate [m <sup>3</sup> /h]	Noise Level [dB]	Weight [kg]	Indoor or Outdoor
EWF-45ETA-E	Three Phase 380-440	50	4	250-270	0.66-0.75	5700	47.5	17.3	Outdoor use
		60		360-380	0.71-0.72	6700	52.5		
EWF-50FTA-E		50	4	330-355	0.78-0.82	7240	49.5	19.4	
		60		510-530	0.91	8280	53.5-54		
EWG-60FTA-E		50	6	375-410	1.00-1.15	9700	47.5	25	
				60	590-610	1.15	11160		
KG-70GTF <sub>3</sub> -E	Three-phase 380-415	50	6	710-800	2.60-3.10	16000	62.5	52	
		60		1040-1100	2.50-2.70	19000	67		
KG-80HTF <sub>3</sub> -E		50	6	1020-1060	2.65-2.90	22800	66.5	62.5	
				60	1570-1650	3.05	26000		71
EJ-105HTB-E		Three-phase 400-440	50	10	1170-1240	5.1-5.5	27300	59	139.0
		60	1740-1790		4.9-4.9	32700	63		

**P-Q Characteristic**



\*Do not use the appliance out of the range of the characteristic curve.

The printed color of the products are slightly different from those of the actual products.



**NEW**  
**EWF-25 to 50-Q-E**  
**EWG-60-Q-E**  
 (Supply Type)

\*25-60cm models are for supply use only (the direction of the vanes cannot be changed). For exhaust-use models, please refer to pg5-6.  
 \*Operating conditions: Ambient temperature is -15°C to +50°C (for 105cm model, -30°C to +50°C), and a relative humidity of 90% or less at normal temperature. Use outside of this range may result in burning, deform, irregular rotation, or damage.  
 \*Do not install the unit in a freezer or a place where freezing may occur.  
 \*Avoid turning on and off of the unit more than 50 times a day.  
 \*Switching of speeds is not available with this series.  
 \*Do not install the indoor models outdoor where it will be exposed to direct rain.  
 \*Outdoor models can be used in a place where it will be directly exposed to rain. However, rust could shorten the service life.  
 \*Do not connect the unit to inverter (Insulation breakdown may occur due to the surge from the inverter)

**Applicable for**

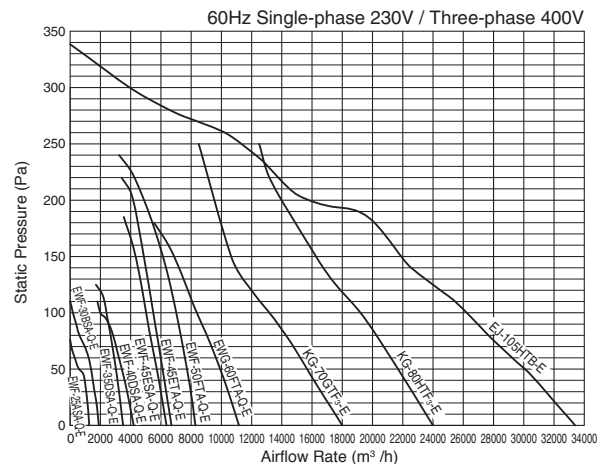
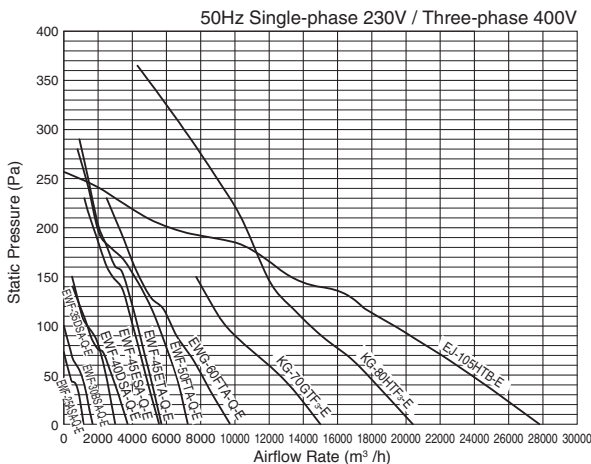


**Specifications**

MODEL	Power Supply [V]	Frequency [Hz]	Number of poles	Power Consumption [W]	Current [A]	Airflow Rate [m³/h]	Noise Level [dB]	Weight [kg]	Indoor or Outdoor	
EWF-25ASA-Q-E	Single-phase 220-240	50	4	39.5-45.5	0.19	1150	38	4.3	Indoor use	
		60		49-55	0.23	1260	42			
EWF-30BSA-Q-E		50	4	71.5-85	0.47-0.53	1680	44.5	5.8		
		60		74-82	0.40-0.42	1900	48			
EWF-35DSA-Q-E		50	4	122-130	0.62	3000	48.5	9.5		
		60		170-180	0.75	3500	53			
EWF-40DSA-Q-E		50	4	120-127	0.62	3720	50.5	12.1		
		60		162-170	0.75-0.72	4200	54.5			
EWF-45ESA-Q-E		50	4	240-260	1.23	5560	56	18.3		
		60		355	1.60-1.50	6370	60.5			
EWF-45ETA-Q-E	Three-phase 380-440	50	4	235-260	0.62-0.70	5700	56.5	17.8	Outdoor use	
		60		345-365	0.68	6700	61			
EWF-50FTA-Q-E		50	4	320-340	0.84-0.93	7240	57.5	19.7		
		60		490-500	0.90	8280	61.5			
EWG-60FTA-Q-E		50	6	400-430	54-54.5	9700	54-54.5	27.1		
		60		590-625	59.5	11160	59.5			
KG-70GTF <sub>3</sub> -E "Supply type"		Three-phase 380-415 Three-phase 400-440	50	6	810-900	2.70-3.20	15000	66.5		52
60			1220-1270		2.70-2.90	18000	72			
KG-80HTF <sub>3</sub> -E "Supply type"			50	6	1100-1130	2.70-2.85	20400	71		62.5
			60		1710-1800	3.2	24000	75		
EJ-105HTB-E "Supply type"	50		10	1130-1220	5.4-5.9	27800	61	139.0		
	60			1660-1750	5-5.3	33300	65			

KG-70GTF<sub>3</sub>-E, KG-80HTF<sub>3</sub>-E and EJ-105HTB-E can be used as "supply type", by changing the direction of the vane and wiring connection. Please refer to the manual how to change.

**P-Q Characteristic**

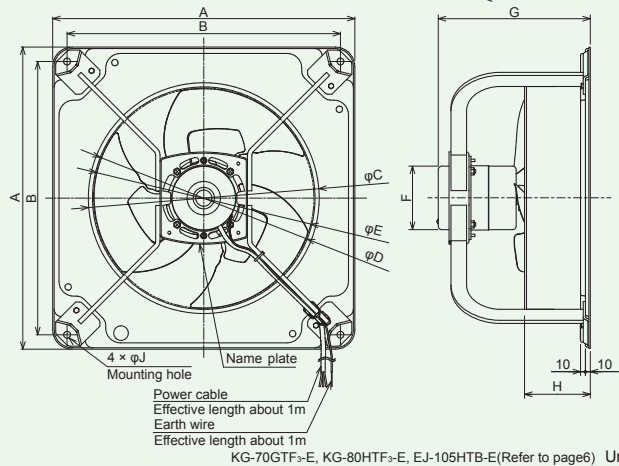


\*Do not use the appliance out of the range of the characteristic curve.

The printed color of the products are slightly different from those of the actual products.

**Dimensions**  
 EWF/EWG-25 to 60-Q-E

\*The appearance may slightly differ depending on the model.



**Dimensions**

MODEL	A	B	C	D	E	F	G	H	J	Power cable	Earth wire
EWF-25ASA-Q-E	370	330	283	266	260	153	201	110	10	A	-
EWF-30BSA-Q-E	420	380	323	306	300	153	197	110	10	A	-
EWF-35DSA-Q-E	470	434	373	356	350	181	259	130	10	A	-
EWF-40DSA-Q-E	520	460	423	406	400	181	266	135	14	A	-
EWF-45ESA-Q-E	620	560	473	456	450	211	307	135	14	A	-
EWF-45ETA-Q-E	620	560	473	456	450	φ131	312	135	14	B	AWG18
EWF-50FTA-Q-E	620	560	528	511	500	φ131	292	155	14	B	AWG18
EWG-60FTA-Q-E	710	650	624	607	600	φ163	345	175	14	B	AWG18

A : Vinyl cabtyre cable 3 conductors x AWG18  
 B : Vinyl cabtyre cable 3 conductors x 0.75mm<sup>2</sup>

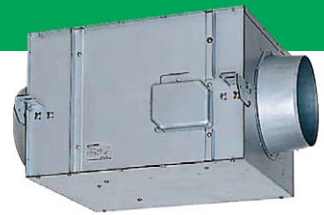


# Straight Centrifugal Fan

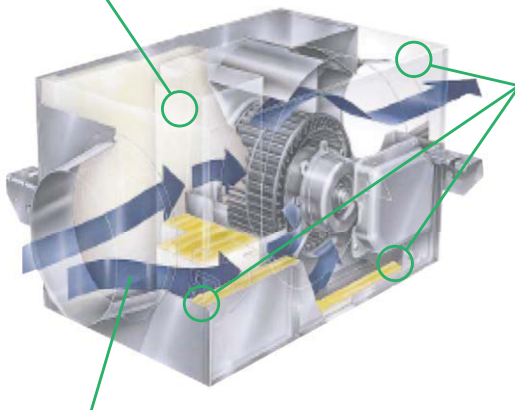
## Features of the Mitsubishi Electric Straight Centrifugal Fan

### Ceiling Recessed Type

Low noise operation has been achieved using the new Split Silencer. Also, its compact and light weight design allows easy installation for applications with limited installation space.



#### New Split Silencer



#### Increased strength

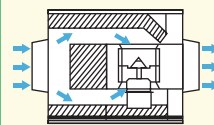
The frames are clamped tightly together.



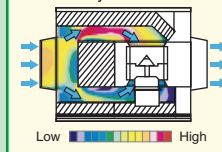
#### Improvement on Air Duct

The new Split Silencer increases air duct efficiency.

• Without the new Split Silencer

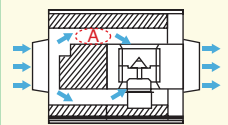


• Wind Velocity Analysis CAE Analysis

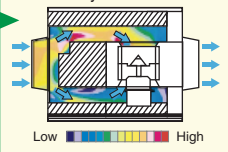


Low High

• With the new Split Silencer



• Wind Velocity Analysis CAE Analysis



Low High

The operation noise and unit size have been minimized by air duct improvements. Especially, A-area's velocity has been decreased drastically contributing to reduction of operation noise.

#### Improvement on Air Duct

##### Low noise operation

Operation noise as low as 45dB (for models with air volume under 1000 m<sup>3</sup>/h)

##### Compact and light weight design

Designed with a height less than 350mm and a weight less than 25kg while maintaining high strength

### Floor Standing Type

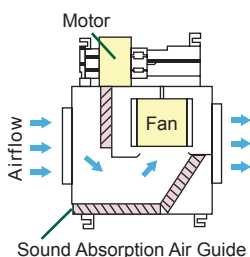
The Surging Absorption Slit and Sound Absorption Air Guide are keys to achieve low noise operation.



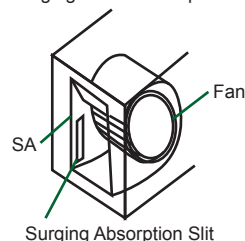
#### Low Noise

The Sound Absorption Guide equipped inside of the silencer box contributes to the reduction of operation noise by creating a smoother flow of air and absorbing noise. The Surging Absorption Slit on inlet of the unit is to reduce unpleasant noise caused by the surging of air.

#### Cross-Section View



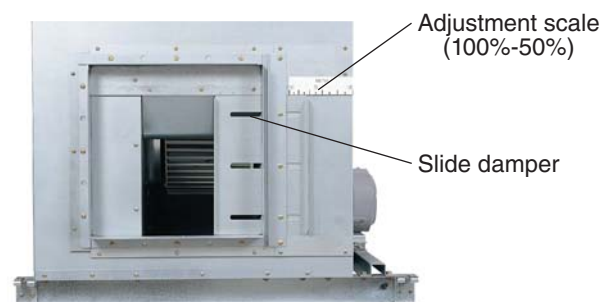
#### Surging Sound Absorption

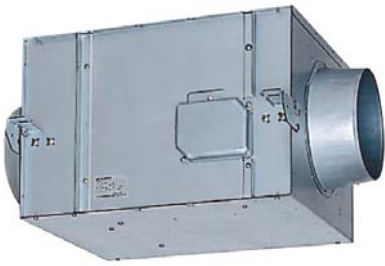


#### Adjustable Air Volume

The equipped slide damper can be used for adjusting the air volume range between 50 and 100%, allowing more precise air volume control.

#### Damper Fixing Screws





## BFS-30 to 100SA-E

(Single phase)

- High static pressure
- Large air volume design
- Low noise operation

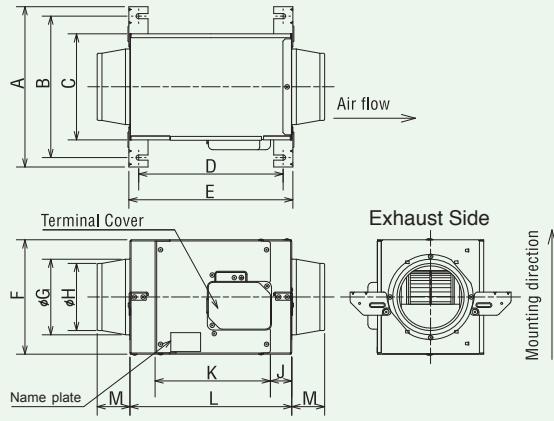
\*Operating conditions: The temperatures of both ambient and transfer air are -10°C to +40°C, and a relative humidity of 90% or less at normal temperature. Use outside of this range may result in burning, deform, irregular rotation, and damage.

### Applicable for



### ■Dimensions

\*The appearance may slightly differ depending on the model.



Unit : mm

### ■Dimensions

Model	A	B	C	D	E	F	G	H	J	K	L	M
BFS-30SA-E	339	299	224	305	346	240	160	142	45	243	340	70
BFS-40SA-E	369	329	254	360	401	270	160	142	52	287	395	70
BFS-50SA-E	439	399	324	385	426	270	208	192	52	287	420	85
BFS-65SA-E	474	434	359	460	501	320	208	192	51	382	495	85
BFS-80SA-E	504	464	389	460	501	320	208	192	51	382	495	85
BFS-90SA-E	504	464	389	485	526	320	208	192	51	382	520	85
BFS-100SA-E	504	464	389	485	526	320	208	192	51	382	520	85

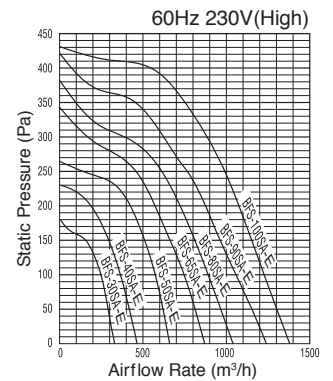
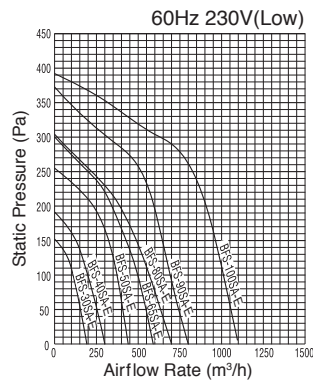
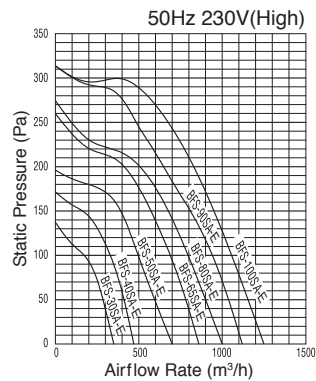
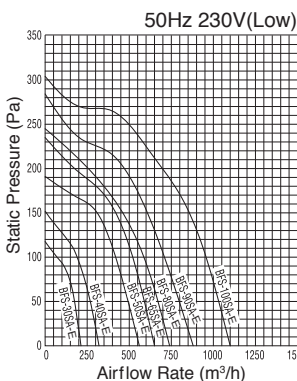
### ■ Specifications(50Hz)

Model	Power Supply [V]	Fan speed	Current [A]	Power Consumption [W]	Airflow Rate [m³/h]	Static Pressure [Pa]	Noise [dB]		Weight [kg]
							Casing Side	Suction Side	
BFS-30SA-E	Single-phase 220-240	High	0.17-0.18	37-42	292-300	39	26	36.5	7
		Low	0.14-0.15	29-35	186-212	18	21.5	27	
BFS-40SA-E		High	0.25-0.26	55-63	395-400	59	26.5	36.5	9
		Low	0.22-0.23	47-54	289-325	30	23	30	
BFS-50SA-E		High	0.37-0.38	80-86	500-500	98	29	39	11
		Low	0.3-0.3	64-69	450-450	80	25.5	35	
BFS-65SA-E		High	0.50-0.52	102-119	614-650	118	32	37	15
		Low	0.32-0.34	70-81	505-546	83	27.5	32.5	
BFS-80SA-E		High	0.58-0.60	126-139	800-800	98	32.5	37.5	15.5
		Low	0.44-0.45	96-104	650-650	64	29	33.5	
BFS-90SA-E	High	0.74-0.74	161-177	900-900	118	33.5	39.5	17.5	
	Low	0.53-0.53	116-127	760-778	80	31	36.5		
BFS-100SA-E	High	0.87-0.89	189-207	1000-1000	127	37	42.5	19	
	Low	0.76-0.78	168-182	945-973	107	35.5	41.5		

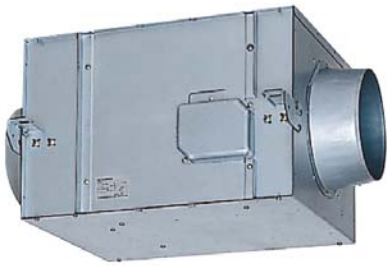
### ■ Specifications(60Hz)

Model	Power Supply [V]	Fan speed	Current [A]	Power Consumption [W]	Airflow Rate [m³/h]	Static Pressure [Pa]	Noise [dB]		Weight [kg]
							Casing Side	Suction Side	
BFS-30SA-E	Single-phase 220-240	High	0.20-0.21	43-50	292-300	39	27	38.5	7
		Low	0.15-0.17	29-35	171-196	15	21	26	
BFS-40SA-E		High	0.29-0.31	63-73	395-400	69	28	38	9
		Low	0.23-0.25	48-56	274-300	30	23	29.5	
BFS-50SA-E		High	0.42-0.43	93-100	500-500	157	30	39.5	11
		Low	0.33-0.34	70-79	380-380	91	25	34	
BFS-65SA-E		High	0.67-0.70	136-153	650-650	157	34.5	38	15
		Low	0.39-0.41	84-96	513-516	88	27	32	
BFS-80SA-E		High	0.69-0.69	151-166	768-800	157	35.5	38	15.5
		Low	0.47-0.50	103-120	580-615	84	29	33.5	
BFS-90SA-E	High	0.92-0.94	196-215	900-900	186	36	41.5	17.5	
	Low	0.60-0.63	131-150	695-731	108	31	36		
BFS-100SA-E	High	1.2-1.2	246-268	1000-1000	245	39.5	44.5	19	
	Low	0.99-1.0	211-230	941-941	173	37.5	43		

### P-Q Characteristic



The printed color of the products are slightly different from those of the actual products.



## BFS-100 to 180TA-E

(Three phase)

- High static pressure
- Large air volume design
- Low noise operation

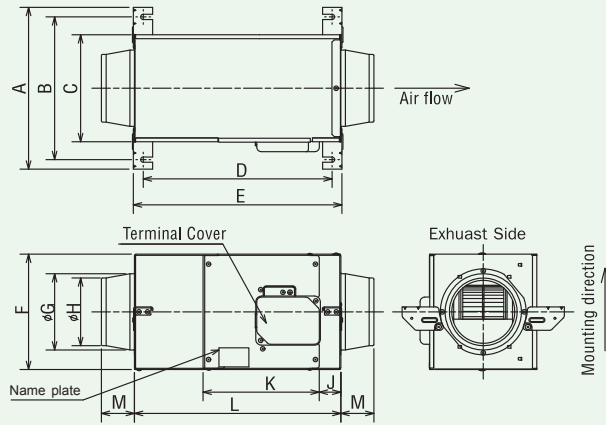
\*Operating conditions: The temperatures of both ambient and transfer air are -10°C to +40°C, and a relative humidity of 90% or less at normal temperature. Use outside of this range may result in burning, deform, irregular rotation, and damage.

### Applicable for



### ■ Dimensions

\*The appearance may slightly differ depending on the model.



Unit : mm

### ■ Dimensions

Model	A	B	C	D	E	F	G	H	J	K	L	M
BFS-100TA-E	504	464	389	485	526	320	208	192	51	382	520	85
BFS-120TA-E	480	440	365	515	556	350	258	242	70	400	550	85
BFS-150TA-E	490	450	375	530	571	350	258	242	70	400	565	85
BFS-180TA-E	570	530	455	610	651	350	258	242	70	400	645	85

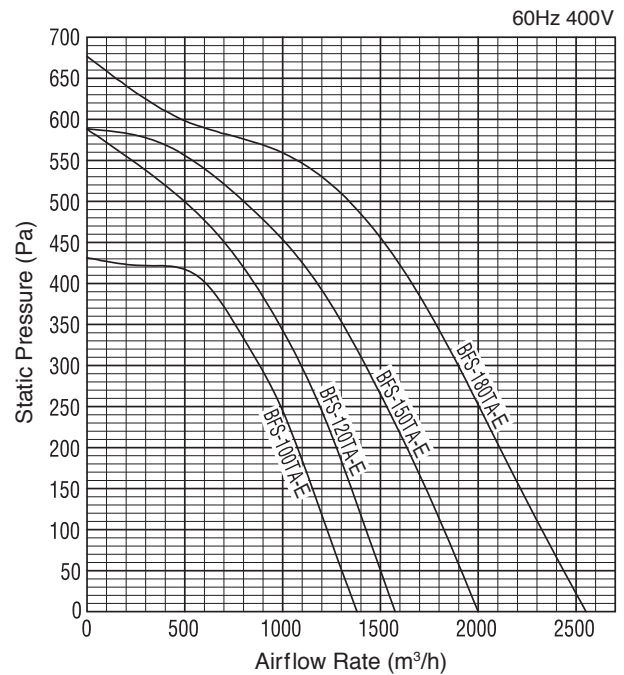
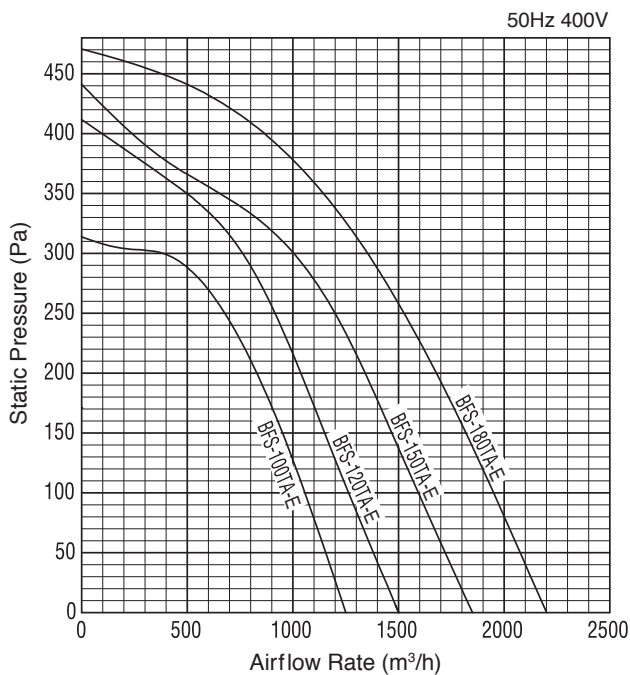
### ■ Specifications(50Hz)

Model	Power Supply [V]	Current [A]	Power Consumption [W]	Airflow Rate [m <sup>3</sup> /h]	Static Pressure [Pa]	Noise [dB]		Weight [kg]
						Casing Side	Suction Side	
BFS-100TA-E	Three-Phase 380-415	0.35-0.37	178-196	1000-1000	127	36	42	17.5
BFS-120TA-E		0.55-0.57	258-273	1170-1200	127	40	48	20
BFS-150TA-E		0.82-0.89	346-372	1500-1500	137	42	48	20
BFS-180TA-E		0.96-1.0	424-446	1750-1800	157	41	46	24

### ■ Specifications(60Hz)

Model	Power Supply [V]	Current [A]	Power Consumption [W]	Airflow Rate [m <sup>3</sup> /h]	Static Pressure [Pa]	Noise [dB]		Weight [kg]
						Casing Side	Suction Side	
BFS-100TA-E	Three-Phase 400-440	0.43-0.44	258-266	1000-1000	245	37.5	43	17.5
BFS-120TA-E		0.63-0.63	337-363	1150-1200	245	41	48.5	20
BFS-150TA-E		0.87-0.88	445-462	1500-1500	265	44	48	20
BFS-180TA-E		1.0-1.0	541-568	1700-1800	343	41.5	45.5	24

## P-Q Characteristic



The printed color of the products are slightly different from those of the actual products.



## BFS-650, 1000TB-E

(Three phase)

- High static pressure
- Large air volume design
- Low noise operation
- For sale until the stock lasts

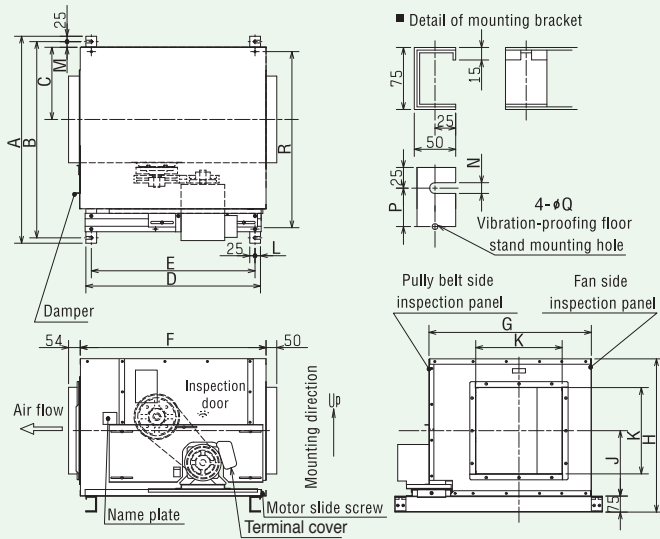
\*Operating conditions: The temperatures of both ambient and transfer air are -10°C to +40°C, and a relative humidity of 80% or less at normal temperature. Use outside of this range may result in burning, deform, irregular rotation, and damage.

### Applicable for



### ■Dimensions

\*The appearance may slightly differ depending on the model.



Unit : mm

### ■Dimensions

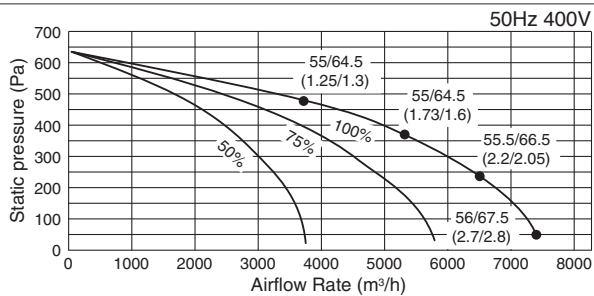
Model	A	B	C	D	E	F	G	H	J	K	L	M	N	P	Q	R	V-belt
BFS-650TB-E	950	900	332	800	750	850	743	705	300	400	25	25	13	50	10	800	A, 44 inch
BFS-1000TB-E	1075	1025	361	990	940	1040	840	825	375	500	25	25	13	50	10	925	A, 52 inch

### ■Specifications

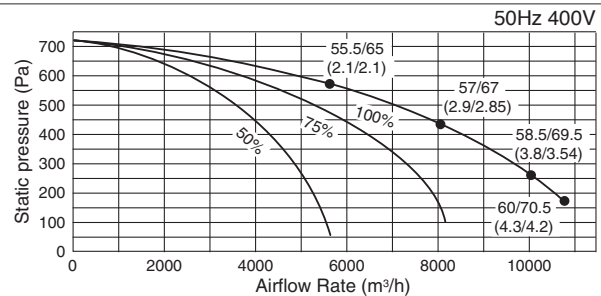
Model	Frequency [Hz]	Power Supply [V]	Current [A]	Power Consumption [W]	Airflow Rate [m³/h]	Static Pressure [Pa]	Noise [dB]		Weight [kg]
							Casing Side	Suction Side	
BFS-650TB-E	Three-Phase 50	380-415	3.9-3.6	2200	6500	225	55.5	66.5	106
BFS-1000TB-E			6.8-6.2						

## P-Q Characteristic

### BFS-650TB-E

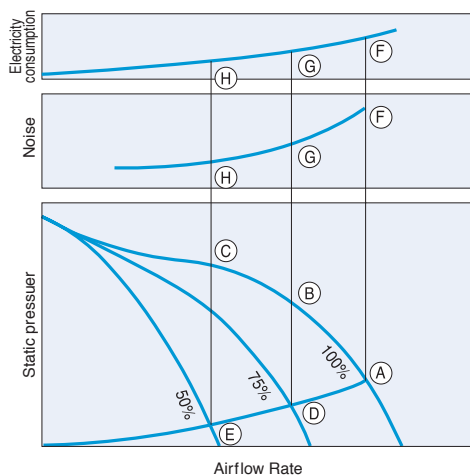


### BFS-1000TB-E



\*Do not use the appliance out of the range of the characteristic curve.

## A correlation between air volume variation and characteristic

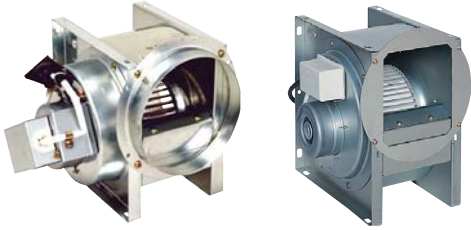


By closing the damper, the airflow rate can be reduced (A→D→E). This in turn reduces both the noise level and power consumption so that A=F becomes D=G or E=H. (The noise and power consumption characteristics will be the same as those values at point B and C)

The printed color of the products are slightly different from those of the actual products.



# Centrifugal Fan



**BF-12 to 23S-E-1** (Single phase)  
**BF-25,28T-E** (Three phase)

- Compact size
- Low noise operation

\*Operating conditions: The temperatures of both ambient and transfer air are -10°C to +50°C, and a relative humidity of 90% or less at normal temperature. Use outside of this range may result in burning, deform, irregular rotation, and damage.

\*Do not install the unit in a place where it may directly exhaust oily smoke or steam, such as kitchen.

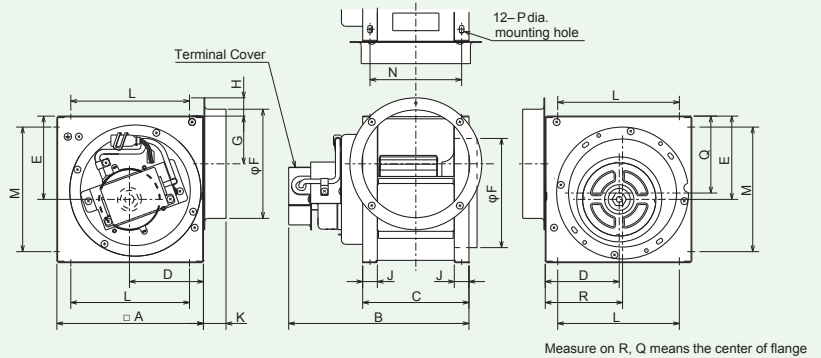
\*Do not install the unit in a place where steam and corrosive gas are constantly generated as well as a place where the unit may be exposed to rain.

### Applicable for



### ■ Dimensions

\*The appearance may slightly differ depending on the model.



Unit : mm

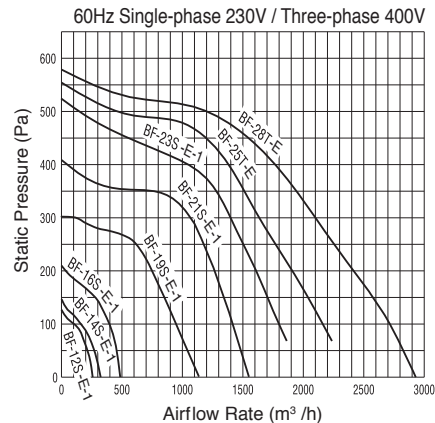
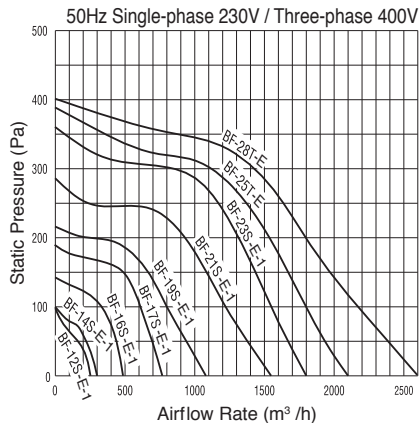
### ■ Dimensions

Model	A	B	C	D	E	F	G	H	J	K	L	M	N	P	Q	R
BF-12S-E-1	200	246	145	101	113.7	149	65	25	20	30.8	162	170	125	10x6	105	105.5
BF-14S-E-1	200	246	145	101	113.7	149	65	25	20	30.8	162	170	125	10x6	105	105.5
BF-16S-E-1	250	246	170	126	142.3	149	60	30	20	30.8	190	190	150	10x6	142	125.5
BF-17S-E-1	300	232	185	151.5	170.5	199	85	30	22.5	30.8	240	240	165	16x10	170	151
BF-19S-E-1	300	268	185	151.5	170.5	199	85	30	22.5	30.8	240	240	165	16x10	170	151
BF-21S-E-1	330	294	210	166.6	187.6	199	75	40	25	30.8	250	250	190	20x12	186	166
BF-23S-E-1	380	313.8	225	192.1	217.6	249	105	35	25	30.8	300	300	205	20x12	214.5	192.5
BF-25T-E	380	309	225	192.1	217.6	249	105	35	25	30.8	300	300	205	20x12	214.5	192.5
BF-28T-E	395	319.2	250	200	228.7	249	93	47	25	30.8	320	320	230	20x12	223.4	199.6

### ■ Specifications

Model	Power Supply [V]	Frequency [Hz]	Current [A]	Power Consumption [W]	Airflow Rate [m³/h]	Static Pressure [Pa]	Noise [dB]		Weight [kg]
							Casing Side	Suction Side	
BF-12S-E-1	Single-phase 220-240	50	0.11-0.12	27-31	252	0	34.5	39.5	2.8
		60	0.12-0.13	26-31	258	0	35	40	
BF-14S-E-1		50	0.14-0.15	31-35	330	0	41	46	2.9
		60	0.18-0.19	37-43	330	0	42.5	47.5	
BF-16S-E-1		50	0.23-0.24	54-62	486	0	44.5	49	4.7
		60	0.26-0.28	56-67	486	0	43	47.5	
BF-17S-E-1		50	0.33-0.36	68-80	716	0	44	51	7.1
BF-19S-E-1		50	0.65-0.65	143-156	1080	0	51.5	58.5	9.6
BF-21S-E-1		60	0.81-0.84	174-197	1140	0	52	59	
BF-23S-E-1		50	1.15-1.13	235-249	1548	0	56.5	63	12.6
	60	1.61-1.57	343-371	1550	0	58	65		
BF-25T-E	50	1.51-1.48	331-358	1800	0	59	65.5	18.4	
	60	1.92-1.99	416-465	1800	70	61	67.5		
BF-28T-E	Three-phase 380-415	50	0.96-0.99	445-464	2100	0	62.5	69	16
	Three-phase 400-440	60	1.17-1.16	667-704	2280	70	65	72	
BF-28T-E	Three-phase 380-415	50	1.2-1.19	645-657	2600	0	65	71.5	20.5
	Three-phase 400-440	60	1.17-1.16	1065-1077	2920	0	68.5	75	

### P-Q Characteristic



The printed color of the products are slightly different from those of the actual products.

\*Do not use the appliance out of the range of the characteristic curve.

# Axial Flow Fan



## JF-30 to 250S-E-1 (Single phase)

- High static pressure
- Large air volume design
- Low noise operation

## JF-350 to 550T-E (Three phase)

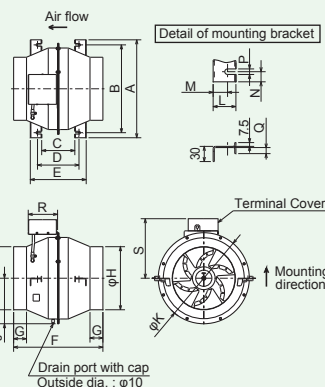
\*Operating conditions: The temperatures of both ambient and transfer air are -10°C to +40°C, and a relative humidity of 90% or less at normal temperature. Use outside of this range may result in burning, deform, irregular rotation, and damage.

\*Do not install the unit vertically

\*Do not install the unit in a place where it may be directly exhaust oily smoke or steam, such as kitchen.

### ■ Dimensions JF-30 to 250S-E-1

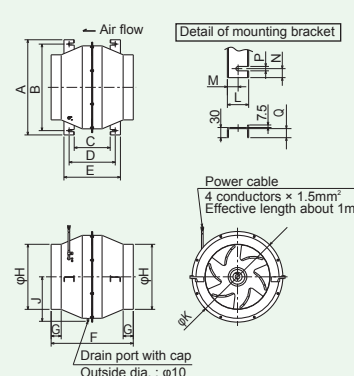
\*The appearance may slightly differ depending on the model.



Unit : mm

### ■ Dimensions JF-350 to 550T-E

\*The appearance may slightly differ depending on the model.



Unit : mm

### Applicable for



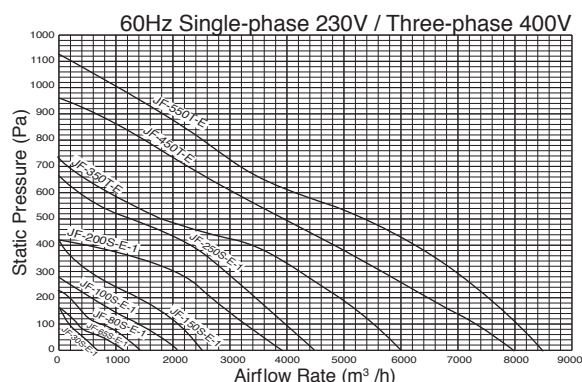
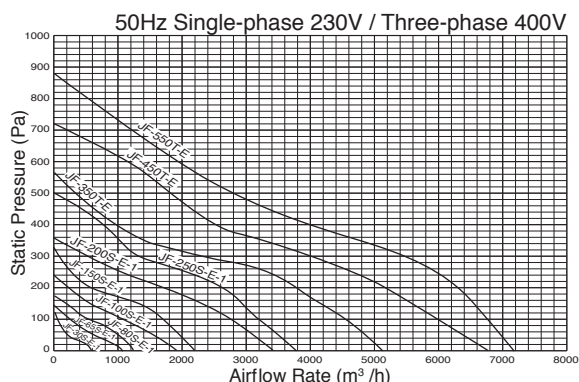
### ■ Dimensions

Model	A	B	C	D	E	F	G	H	J	K	L	M	N	P	Q	R	S
JF-30S-E-1	340	300	80	113	170	280	50	200	151.2	300	45	28.5	20	11	12	85	210
JF-65S-E-1	389	349	128	161	218	350	51	250	179.4	360	45	28.5	20	11	12	116	235
JF-80S-E-1	389	349	128	161	218	350	51	250	179.4	360	45	28.5	20	11	12	116	235
JF-100S-E-1	450	410	144	177	234	400	55	300	209.8	430	45	28.5	20	11	12	116	272
JF-150S-E-1	450	410	144	177	234	400	55	300	209.8	430	45	28.5	20	11	12	116	272
JF-200S-E-1	543	490	136	198	261	434	48	323	252.3	515	62.8	31.8	26.5	13	26.8	116	319
JF-250S-E-1	543	490	136	198	261	434	48	323	252.3	515	62.8	31.8	26.5	13	26.8	116	319
JF-350T-E	583	530	218	280	343	500	62	400	272.5	555	62.8	31.8	26.5	13	26.8	-	-
JF-450T-E	713	660	256	318	381	600	57	500	337.3	685	62.8	31.8	26.5	13	26.8	-	-
JF-550T-E	713	660	256	318	381	600	57	500	337.3	685	62.8	31.8	26.5	13	26.8	-	-

### ■ Specifications

Model	Power Supply [V]	Frequency [Hz]	Current [A]	Power Consumption [W]	Airflow Rate [m³/h]	Noise [dB]		Weight [kg]
						Casing Side	Suction Side	
JF-30S-E-1	Single-phase 220-240	50	0.22-0.25	47-57	590	38	50	4.5
		60	0.24-0.26	52-62	700	43	52	
JF-65S-E-1		50	0.18-0.20	40-46	1060	38	48	7.5
		60	0.23-0.25	51-59	1160	39	52	
JF-80S-E-1		50	0.34-0.36	62-69	1240	37	54.5	8.5
		60	0.39-0.40	83-91	1440	41	57.5	
JF-100S-E-1		50	0.43-0.45	94-100	1900	40	57	15
		60	0.59-0.62	130-141	2100	40.5	58	
JF-150S-E-1		50	0.74-0.81	134-148	2200	43	60.5	15
		60	0.84-0.89	186-195	2550	46.5	64.5	
JF-200S-E-1	50	0.79-0.81	176-190	3420	45	65	19	
	60	1.20-1.30	267-290	3940	48	69.5		
JF-250S-E-1	50	1.40-1.30	315-327	3800	52	69	21	
	60	2.20-2.00	475-480	4500	56	72		
JF-350T-E	Three-phase 380-415	50	1.00-1.20	508-528	5130	53	71	28.5
	Three-phase 400-440	60	1.30-1.40	805-823	6000	57	74.5	
JF-450T-E	Three-phase 380-415	50	1.30-1.40	680-700	6800	57	70.5	54
	Three-phase 400-440	60	1.90-1.70	1120-1130	8000	60	75.5	
JF-550T-E	Three-phase 380-415	50	1.60-1.70	750-790	7200	57	71	55.5
	Three-phase 400-440	60	2.00-2.10	1200-1250	8500	60	75.5	

### P-Q Characteristic



The printed color of the products are slightly different from those of the actual products.