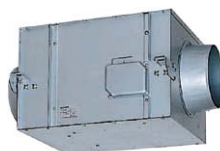


Straight Centrifugal Fan
Centrifugal Fan
Axial Flow Fan



Effectively creates a safe and comfortable environment by replacing the indoor stale air with fresh outside air



Straight Centrifugal Fan



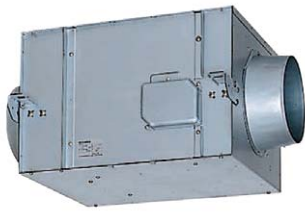
Centrifugal Fan



Axial Flow Fan

Duct System for Buildings

Three types of in-line fans are available. In-line fans are installed in invisible spaces, but they are essential to building ventilation.



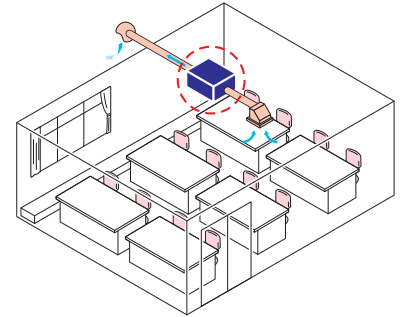
Straight Centrifugal Fan



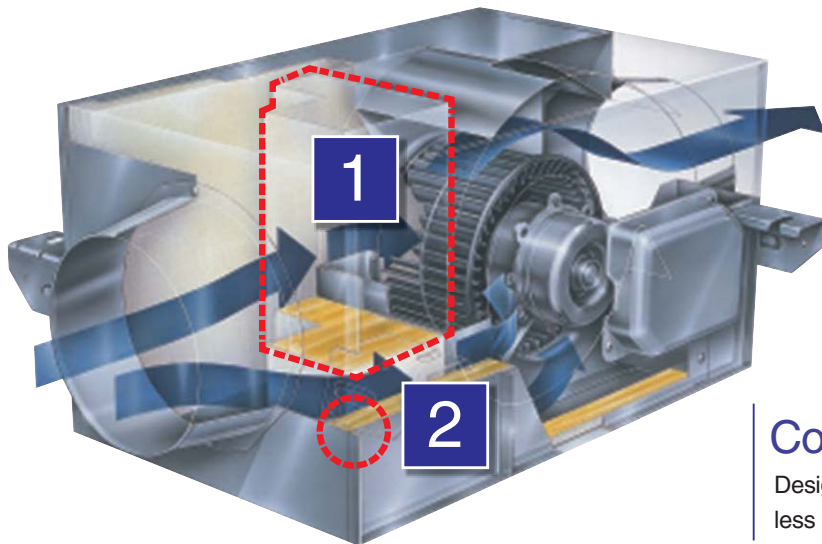
Centrifugal Fan



Axial Flow Fan



Feature of the Straight Centrifugal Fan

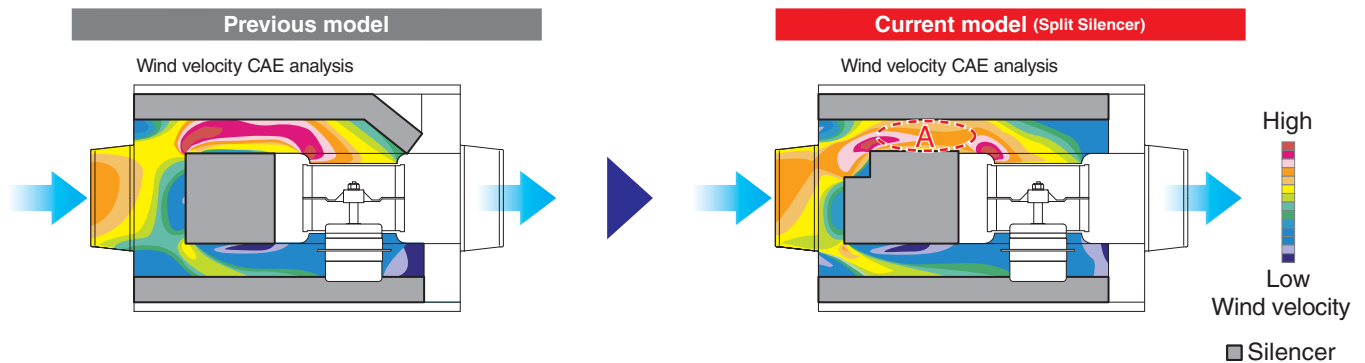


Compact and light weight

Designed with a height less than 350mm and a weight less than 25kg while maintaining high strength.

1 Split Silencer

Low noise operation has been achieved using the Split Silencer. The decrease in wind speed in section A has contributed to reducing side noise and suction noise.

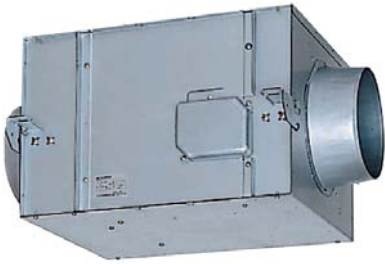


2 Punched caulking

The frames are clamped tightly together.



Straight Centrifugal Fan

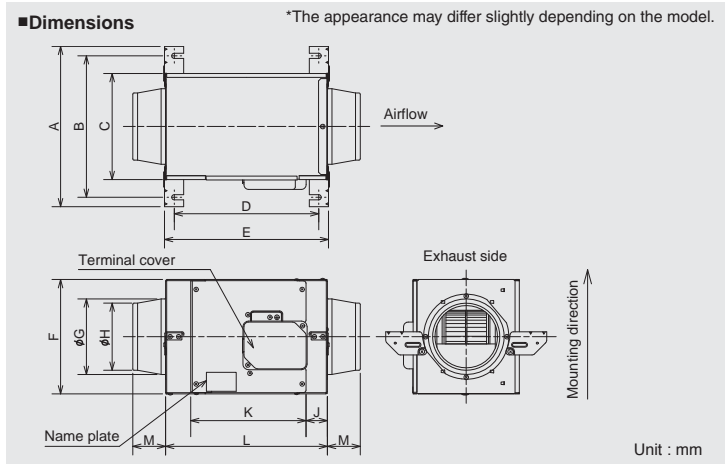


BFS-30 to 100SA-E

(Single-phase)

*Operating conditions: Ambient and transfer air temperatures between -10°C and +40°C, and a relative humidity of 90% or less at normal temperature. Use outside of this range may result in burning, deformation, irregular rotation, or damage.

Applicable for



■Dimensions

Model	A	B	C	D	E	F	G	H	J	K	L	M
BFS-30SA-E	339	299	224	305	346	240	160	142	45	243	340	70
BFS-40SA-E	369	329	254	360	401	270	160	142	52	287	395	70
BFS-50SA-E	439	399	324	385	426	270	208	192	52	287	420	85
BFS-65SA-E	474	434	359	460	501	320	208	192	51	382	495	85
BFS-80SA-E	504	464	389	460	501	320	208	192	51	382	495	85
BFS-90SA-E	504	464	389	485	526	320	208	192	51	382	520	85
BFS-100SA-E	504	464	389	485	526	320	208	192	51	382	520	85

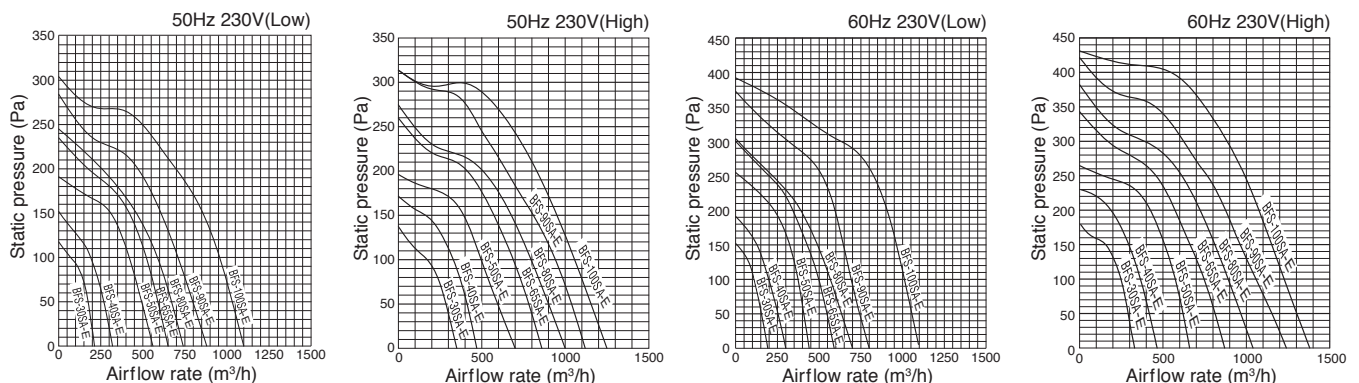
■ Specifications (50Hz)

Model	Power supply [V]	Fan speed	Current [A]	Power consumption [W]	Airflow rate [m³/h]	Static pressure [Pa]	Noise [dB]		Weight [kg]
							Casing side	Suction side	
BFS-30SA-E	Single-phase 220-240	High	0.17-0.18	37-42	292-300	39	26	36.5	7
		Low	0.14-0.15	29-35	186-212	18	21.5	27	
BFS-40SA-E		High	0.25-0.26	55-63	395-400	59	26.5	36.5	9
		Low	0.22-0.23	47-54	289-325	30	23	30	
BFS-50SA-E		High	0.37-0.38	80-86	500-500	98	29	39	11
		Low	0.3-0.3	64-69	450-450	80	25.5	35	
BFS-65SA-E		High	0.50-0.52	102-119	614-650	118	32	37	15
		Low	0.32-0.34	70-81	505-546	83	27.5	32.5	
BFS-80SA-E		High	0.58-0.60	126-139	800-800	98	32.5	37.5	15.5
		Low	0.44-0.45	96-104	650-650	64	29	33.5	
BFS-90SA-E	High	0.74-0.74	161-177	900-900	118	33.5	39.5	17.5	
	Low	0.53-0.53	116-127	760-778	80	31	36.5		
BFS-100SA-E	High	0.87-0.89	189-207	1000-1000	127	37	42.5	19	
	Low	0.76-0.78	168-182	945-973	107	35.5	41.5		

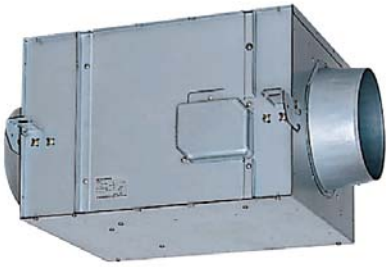
■ Specifications (60Hz)

Model	Power supply [V]	Fan speed	Current [A]	Power consumption [W]	Airflow rate [m³/h]	Static pressure [Pa]	Noise [dB]		Weight [kg]
							Casing side	Suction side	
BFS-30SA-E	Single-phase 220-240	High	0.20-0.21	43-50	293-300	39	27	38.5	7
		Low	0.15-0.17	29-35	171-196	15	21	26	
BFS-40SA-E		High	0.29-0.31	63-73	395-400	69	28	38	9
		Low	0.23-0.25	48-56	274-300	30	23	29.5	
BFS-50SA-E		High	0.42-0.43	93-100	500-500	157	30	39.5	11
		Low	0.33-0.34	70-79	380-380	91	25	34	
BFS-65SA-E		High	0.67-0.70	136-153	650-650	157	34.5	38	15
		Low	0.39-0.41	84-96	513-516	88	27	32	
BFS-80SA-E		High	0.69-0.69	151-166	768-800	157	35.5	38	15.5
		Low	0.47-0.50	103-120	580-615	84	29	33.5	
BFS-90SA-E	High	0.92-0.94	196-215	900-900	186	36	41.5	17.5	
	Low	0.60-0.63	131-150	695-731	108	31	36		
BFS-100SA-E	High	1.2-1.2	246-268	1000-1000	245	39.5	44.5	19	
	Low	0.99-1.0	211-230	941-941	173	37.5	43		

P-Q Characteristics



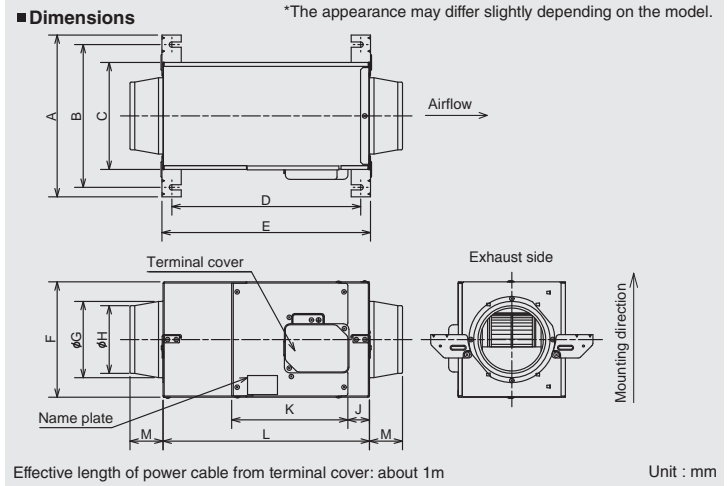
The printed colors of the products may differ slightly from the actual product colors. Due to continuous improvements, the above specifications are subject to change without notice.



BFS-100 to 180TA-E (Three-phase)

*Operating conditions: Ambient and transfer air temperatures between -10°C and +40°C, and a relative humidity of 90% or less at normal temperature. Use outside of this range may result in burning, deformation, irregular rotation, or damage.

Applicable for



■ Dimensions

Model	A	B	C	D	E	F	G	H	J	K	L	M
BFS-100TA-E	504	464	389	485	526	320	208	192	51	382	520	85
BFS-120TA-E	480	440	365	515	556	350	258	242	70	400	550	85
BFS-150TA-E	490	450	375	530	571	350	258	242	70	400	565	85
BFS-180TA-E	570	530	455	610	651	350	258	242	70	400	645	85

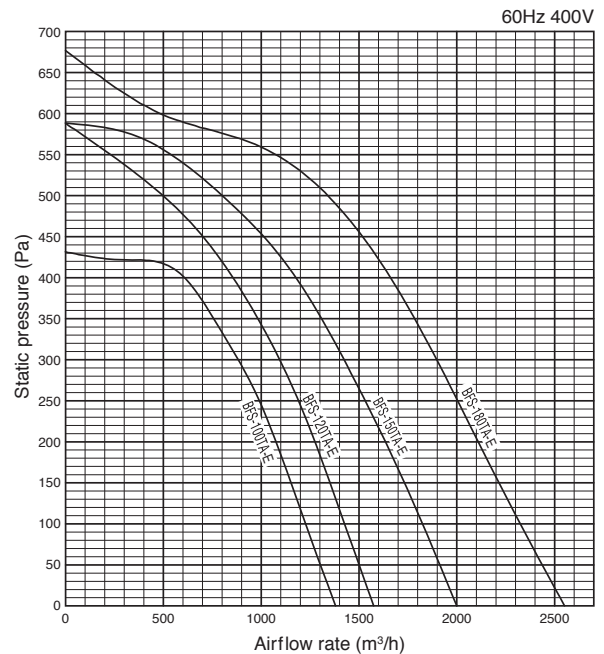
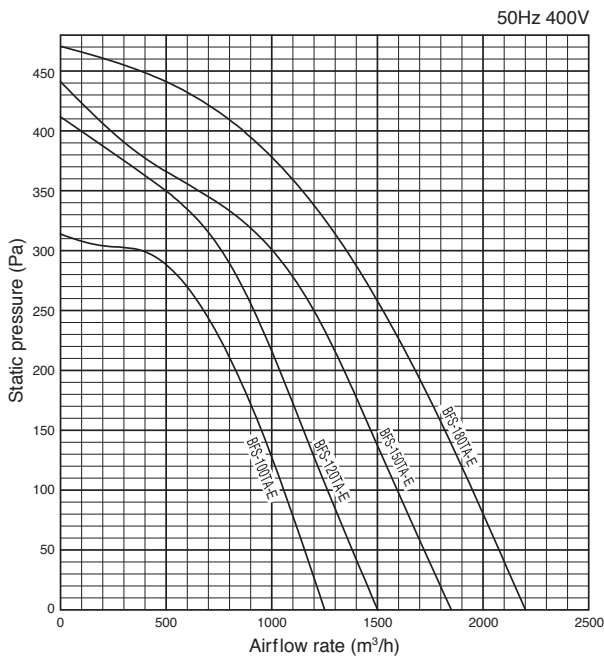
■ Specifications (50Hz)

Model	Power supply [V]	Current [A]	Power consumption [W]	Airflow rate [m³/h]	Static pressure [Pa]	Noise [dB]		Weight [kg]
						Casing side	Suction side	
BFS-100TA-E	Three-phase 380-415	0.35-0.37	178-196	1000-1000	127	36	42	17.5
BFS-120TA-E		0.55-0.57	258-273	1170-1200	127	40	48	20
BFS-150TA-E		0.82-0.89	346-372	1500-1500	137	42	48	20
BFS-180TA-E		0.96-1.0	424-446	1750-1800	157	41	46	24

■ Specifications (60Hz)

Model	Power supply [V]	Current [A]	Power consumption [W]	Airflow rate [m³/h]	Static pressure [Pa]	Noise [dB]		Weight [kg]
						Casing side	Suction side	
BFS-100TA-E	Three-phase 400-440	0.43-0.44	258-266	1000-1000	245	37.5	43	17.5
BFS-120TA-E		0.63-0.63	337-363	1150-1200	245	41	48.5	20
BFS-150TA-E		0.87-0.88	445-462	1500-1500	265	44	48	20
BFS-180TA-E		1.0-1.0	541-568	1700-1800	343	41.5	45.5	24

P-Q Characteristics



The printed colors of the products may differ slightly from the actual product colors. Due to continuous improvements, the above specifications are subject to change without notice.

Fireproof Type



V-15 to V-18ZMW-E V-15 to V-18ZMWP-E

• Fireproofing performance

The casing and impeller are made of galvanized steel sheet.* The terminal box has a metal cover for safety, and the noise absorption material** complies with BS476 Part 6 and Part 7.

*The impeller of V-18ZMW(P)-E is made of aluminum.
**Sound absorption material is used in V-18ZMWP-E.

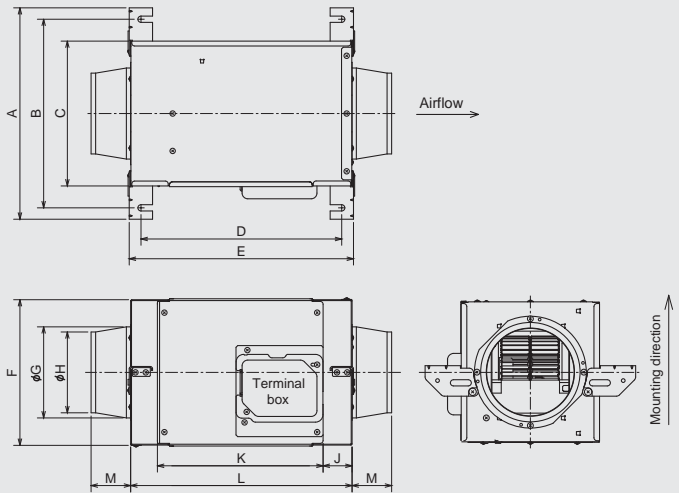
***Operating conditions: Ambient and transfer air temperatures between -15°C and +40°C, and a relative humidity of 90% or less at normal temperature.

Applicable for



■ Dimensions

*The appearance may differ slightly depending on the model.



Unit : mm

■ Dimensions

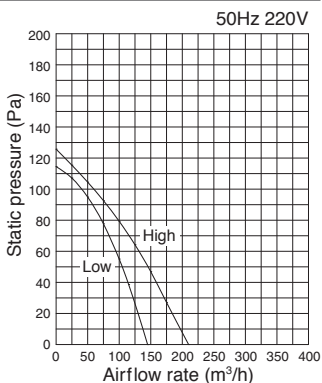
Model	A	B	C	D	E	F	G	H	J	K	L	M
V-15ZMW-E	339	299	223	299	340	226	110	98	43	234	335	60
V-15ZMWP-E	339	299	223	299	340	226	160	142	43	234	335	70
V-18ZMW-E	371	331	255	353	394	255	160	142	51	291	389	70
V-18ZMWP-E	435	395	319	395	436	255	208	192	51	291	431	85

■ Specifications

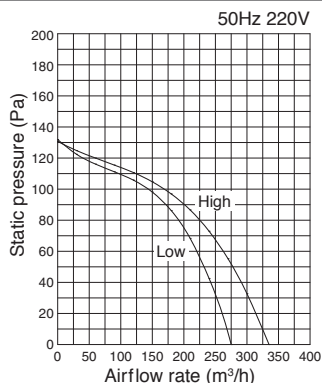
Model	Power supply [V]	Fan speed	Current [A]	Power consumption [W]	Airflow rate [m ³ /h]	Static pressure [Pa]	Noise [dB]	Weight [kg]
V-15ZMW-E	Single-phase 220	High	0.11	25	210	0	21.5	6.0
		Low	0.10	16	145		17	
	Single-phase 240	High	0.12	29	215		22.5	
		Low	0.11	19	170		19	
V-15ZMWP-E	Single-phase 220	High	0.21	43	335		26.5	6.0
		Low	0.18	29	275		23	
	Single-phase 240	High	0.22	49	350		29	
		Low	0.19	35	305		26.5	
V-18ZMW-E	Single-phase 220	High	0.28	60	510	31	8.5	
		Low	0.24	34	370	26		
	Single-phase 240	High	0.28	67	520	32.5		
		Low	0.24	39	400	28		
V-18ZMWP-E	Single-phase 220	High	0.47	99	770	32.5	9.5	
		Low	0.45	78	650	30		
	Single-phase 240	High	0.47	109	780	33		
		Low	0.46	88	700	32		

P-Q Characteristics

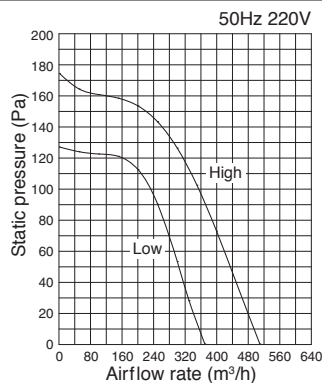
V-15ZMW-E



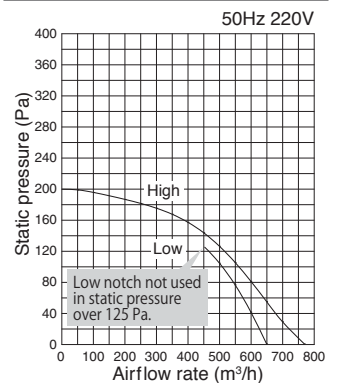
V-15ZMWP-E



V-18ZMW-E



V-18ZMWP-E



The printed colors of the products may differ slightly from the actual product colors.
Due to continuous improvements, the above specifications are subject to change without notice.

Centrifugal Fan



(The picture is BF-12S2-E model)

BF-12 to 23S2-E (Single-phase) BF-25, 28T-E (Three-phase)

*Operating conditions: Ambient and transfer air temperatures between -10°C and +50°C, and a relative humidity of 90% or less at normal temperature. Use outside of this range may result in burning, deformation, irregular rotation, or damage.

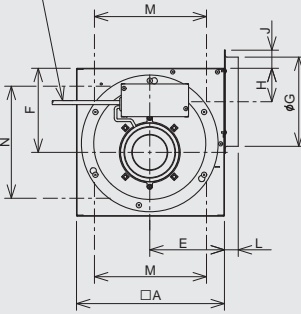
*Do not install the unit where it may directly suction oily smoke or steam, such as the kitchen.

*Do not install the unit where steam and corrosive gas are constantly generated, or where it may be exposed to rain.

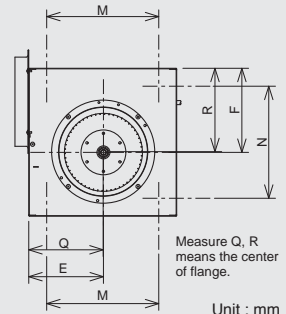
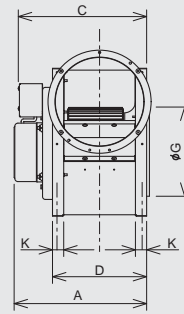
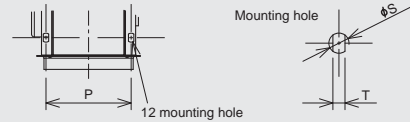
■ Dimensions

Measure E, F means the center of motor.

Supply cord Effective Length:1m

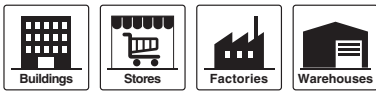


*The appearance may differ slightly depending on the model.



Unit : mm

Applicable for



■ Dimensions

Model	A	B	C	D	E	F	G	H	J	K	L	M	N	P	Q	R	S	T
BF-12S2-E	200	208	213	145	101	114	149	65	25	20	30.8	162	170	125	106	105	10	6
BF-14S2-E	200	208	213	145	101	114	149	65	25	20	30.8	162	170	125	106	105	10	6
BF-16S2-E	250	237	237	170	126	142	149	60	30	20	30.8	190	190	150	126	142	10	6
BF-17S2-E	300	233	238	185	152	171	199	85	30	22.5	30.8	240	240	165	151	170	16	10
BF-19S2-E	300	269	265	185	152	171	199	85	30	22.5	30.8	240	240	165	151	170	16	10
BF-21S2-E	330	294	286	210	167	188	199	75	40	25	30.8	250	250	190	166	186	20	12
BF-23S2-E	380	318	301	225	192	218	249	105	35	25	30.8	300	300	205	193	215	20	12
BF-25T-E	380	309	-	225	192.1	217.6	249	105	35	25	30.8	300	300	205	192.5	214.5	20	12
BF-28T-E	395	319.2	-	250	200	228.7	249	93	47	25	30.8	320	320	230	199.6	223.4	20	12

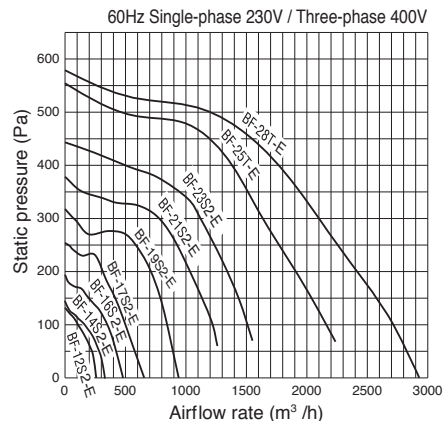
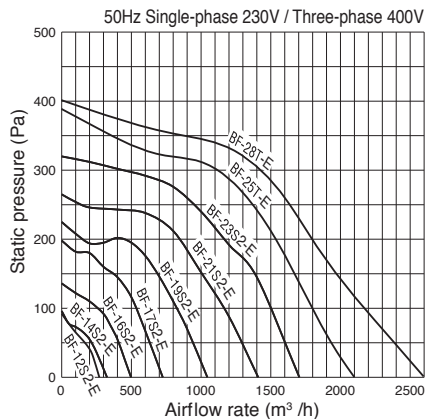
■ Specifications (50Hz)

Model	Power supply [V]	Current [A]	Power consumption [W]	Airflow rate [m³/h]	Static pressure [Pa]	Noise [dB]		Weight [kg]
						Casing side	Suction side	
BF-12S2-E	Single-phase 220-240	0.11-0.11	21-25	260-280	0	36-37.5	41.5-43.5	3.5
BF-14S2-E		0.15-0.16	30-35	320-330		41.5-42.5	47-47.5	3.6
BF-16S2-E		0.23-0.24	49-52	485-510		43.5-45	47.5-49	6.0
BF-17S2-E		0.33-0.36	68-80	690-760		42-44	48.5-51	8.1
BF-19S2-E		0.65-0.65	130-145	1010-1080		51.5-53.5	58.5-60	11.1
BF-21S2-E		1.15-1.13	235-249	1380-1440		56-57	62-63.5	13.4
BF-23S2-E	1.51-1.5	331-358	1660-1750	57-59	64-65.5	19.6		
BF-25T-E	Three-phase 380-415	0.96-0.99	445-464	2100	0	62.5	69	16
BF-28T-E		1.2-1.19	645-657	2600		65	71.5	20.5

■ Specifications (60Hz)

Model	Power supply [V]	Current [A]	Power consumption [W]	Airflow rate [m³/h]	Static pressure [Pa]	Noise [dB]		Weight [kg]
						Casing side	Suction side	
BF-12S2-E	Single-phase 220	0.12	26	258	0	36.5	42	3.5
BF-14S2-E		0.18	37	330		43.5	49	3.6
BF-16S2-E		0.26	56	480		43.5	46	6.0
BF-17S2-E		0.38	82	655		40.5	47	8.1
BF-19S2-E		0.74	155	940		50	56.5	11.1
BF-21S2-E		1.4	305	1260		60	61	13.4
BF-23S2-E	1.92	416	1550	70	63	19.6		
BF-25T-E	Three-phase 400-440	1.17-1.16	667-704	2280	0	65	72	16
BF-28T-E		1.17-1.16	1065-1077	2920		68.5	75	20.5

P-Q Characteristics



The printed colors of the products may differ slightly from the actual product colors. Due to continuous improvements, the above specifications are subject to change without notice.

*Do not use the appliance out of the range of the characteristic curve.

Axial Flow Fan



JF-30 to 250S2-E (Single-phase) JF-350 to 550T-E (Three-phase)

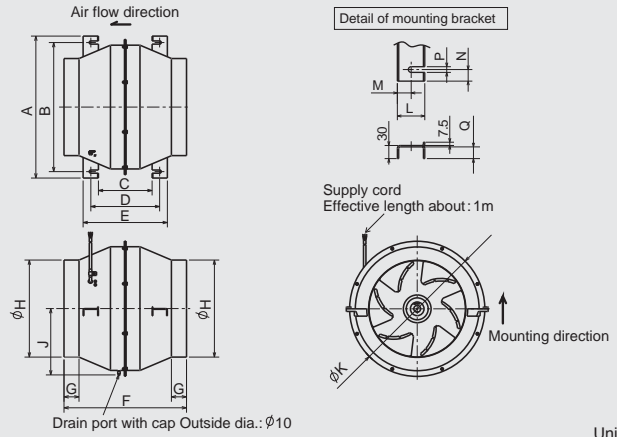
*Operating conditions: Ambient and transfer air temperatures between -10°C and +40°C, and a relative humidity of 90% or less at normal temperature. Use outside of this range may result in burning, deformation, irregular rotation, or damage.
 *Do not install the unit in vertical orientation.
 *Do not install the unit where it may directly suction oily smoke or steam, such as the kitchen.

Applicable for



■ Dimensions

*The appearance may differ slightly depending on the model.



Unit : mm

■ Dimensions

Model	A	B	C	D	E	F	G	H	J	K	L	M	N	P	Q
JF-30S2-E	340	300	80	113	170	280	50	200	151.2	300	45	28.5	20	11	12
JF-65S2-E	389	349	128	161	218	350	51	250	179.4	360	45	28.5	20	11	12
JF-80S2-E	389	349	128	161	218	350	51	250	179.4	360	45	28.5	20	11	12
JF-100S2-E	450	410	144	177	234	400	55	300	209.8	430	45	28.5	20	11	12
JF-150S2-E	450	410	144	177	234	400	55	300	209.8	430	45	28.5	20	11	12
JF-200S2-E	543	490	136	198	261	434	48	323	252.3	515	62.8	31.8	26.5	13	26.8
JF-250S2-E	543	490	136	198	261	434	48	323	252.3	515	62.8	31.8	26.5	13	26.8
JF-350T-E	583	530	218	280	343	500	62	400	272.5	555	62.8	31.8	26.5	13	26.8
JF-450T-E	713	660	256	318	381	600	57	500	337.3	685	62.8	31.8	26.5	13	26.8
JF-550T-E	713	660	256	318	381	600	57	500	337.3	685	62.8	31.8	26.5	13	26.8

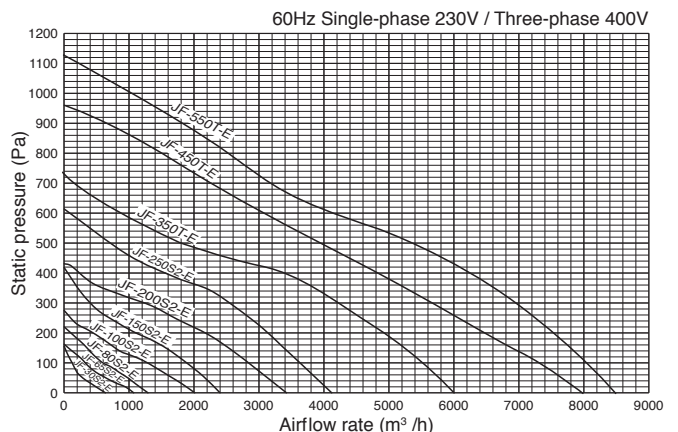
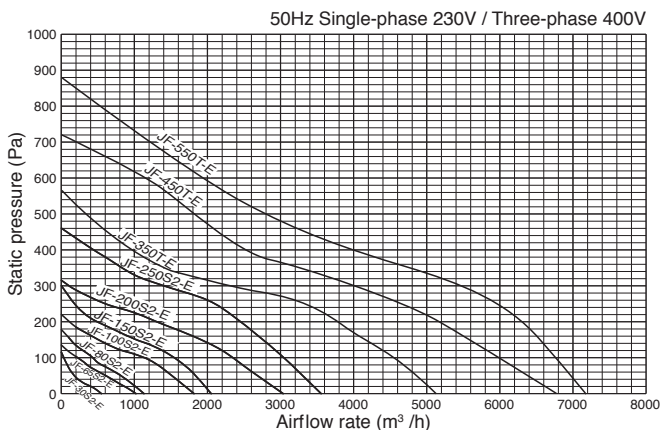
■ Specifications (50Hz)

Model	Power supply [V]	Current [A]	Power consumption [W]	Airflow rate [m³/h]	Noise [dB]		Weight [kg]
					Casing side	Suction side	
JF-30S2-E	Single-phase 220-240	0.15-0.16	31-34	545-550	31-31	48-48	4.4
JF-65S2-E		0.19-0.2	40-47	980-1060	30.5-31.5	48-49	7.7
JF-80S2-E		0.36-0.38	62-69	1120-1140	34-34.5	51.5-52	8.4
JF-100S2-E		0.45-0.5	95-110	1800-1830	39-40	57-57.5	14.2
JF-150S2-E		0.74-0.81	134-148	2050-2050	45-45	61.5-61.5	15.5
JF-200S2-E		0.95-0.95	205-220	2945-3100	46-46	66-66	19.6
JF-250S2-E		1.4-1.37	306-327	3530-3580	46-46.5	67.5-68	22.1
JF-350T-E	Three-phase 380-415	1.00-1.20	508-528	5130	53	71	28.5
JF-450T-E		1.30-1.40	680-700	6800	57	70.5	54
JF-550T-E		1.60-1.70	750-790	7200	57	71	55.5

■ Specifications (60Hz)

Model	Power supply [V]	Current [A]	Power consumption [W]	Airflow rate [m³/h]	Noise [dB]		Weight [kg]
					Casing side	Suction side	
JF-30S2-E	Single-phase 220	0.21	45	635	34.5	50.5	4.4
JF-65S2-E		0.24	51	1070	32.5	49	7.7
JF-80S2-E		0.39	77	1290	37	54	8.4
JF-100S2-E		0.6	130	2010	42	59.5	14.2
JF-150S2-E		0.88	186	2400	48	65	15.5
JF-200S2-E		1.38	295	3500	50	69.5	19.6
JF-250S2-E		2.2	460	4120	49.5	71.5	22.1
JF-350T-E	Three-phase 400-440	1.30-1.40	805-823	6000	57	74.5	28.5
JF-450T-E		1.90-1.70	1120-1130	8000	60	75.5	54
JF-550T-E		2.00-2.10	1200-1250	8500	60	75.5	55.5

P-Q Characteristics



The printed colors of the products may differ slightly from the actual product colors.
 Due to continuous improvements, the above specifications are subject to change without notice.

mitsubishi electric corporation

HEAD OFFICE : TOKYO BLDG., 2-7-3 MARUNOUCHI, CHIYODA-KU, TOKYO 100-8310, JAPAN
www.MitsubishiElectric.com
